

**Model K-P1 (Kir-P)
(G056/G058)**

PARTS CATALOG

First edition, October 2000

Ricoh Company, LTD.

Model K-P1 (Kir-P)(G056/G058)

PARTS CATALOG

This catalog gives the numbers and names of parts on this machine.

CONTENTS

Model K-P1 (Kir-P)	(G056/G058)
Paper Feed Unit Type 2600	(G555)
Envelope Feeder Type 2600	(G556)
AD410	(G552)
CS380	(G553)
1-bin Shift Sort Tray Type 2600	(G554)

Model K-P1 (Kir-P)
(G056/G058)

Model K-P1 (Kir-P)(G056/G058)

PARTS CATALOG

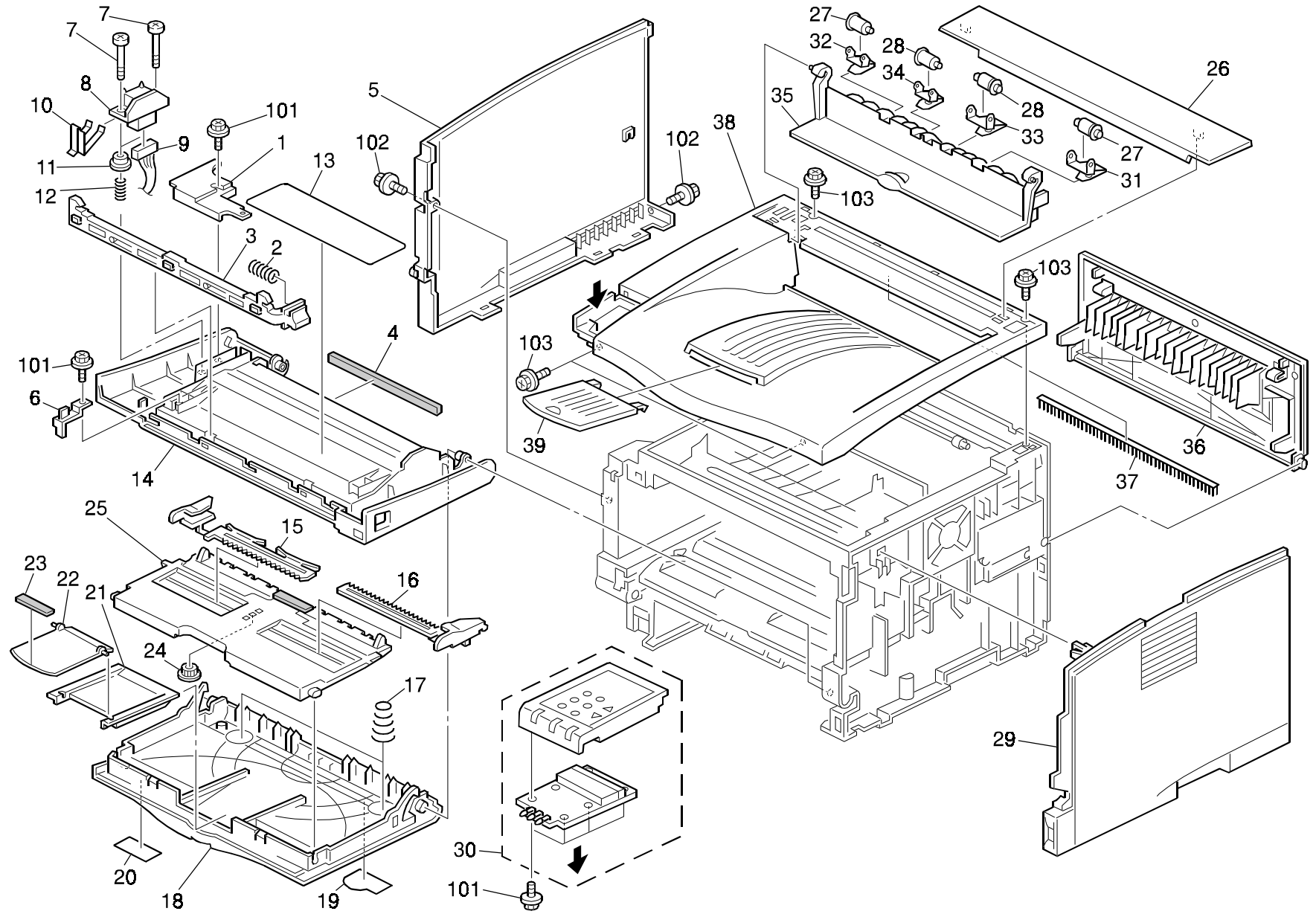
This catalog gives the numbers and names of parts on this machine.

CONTENTS

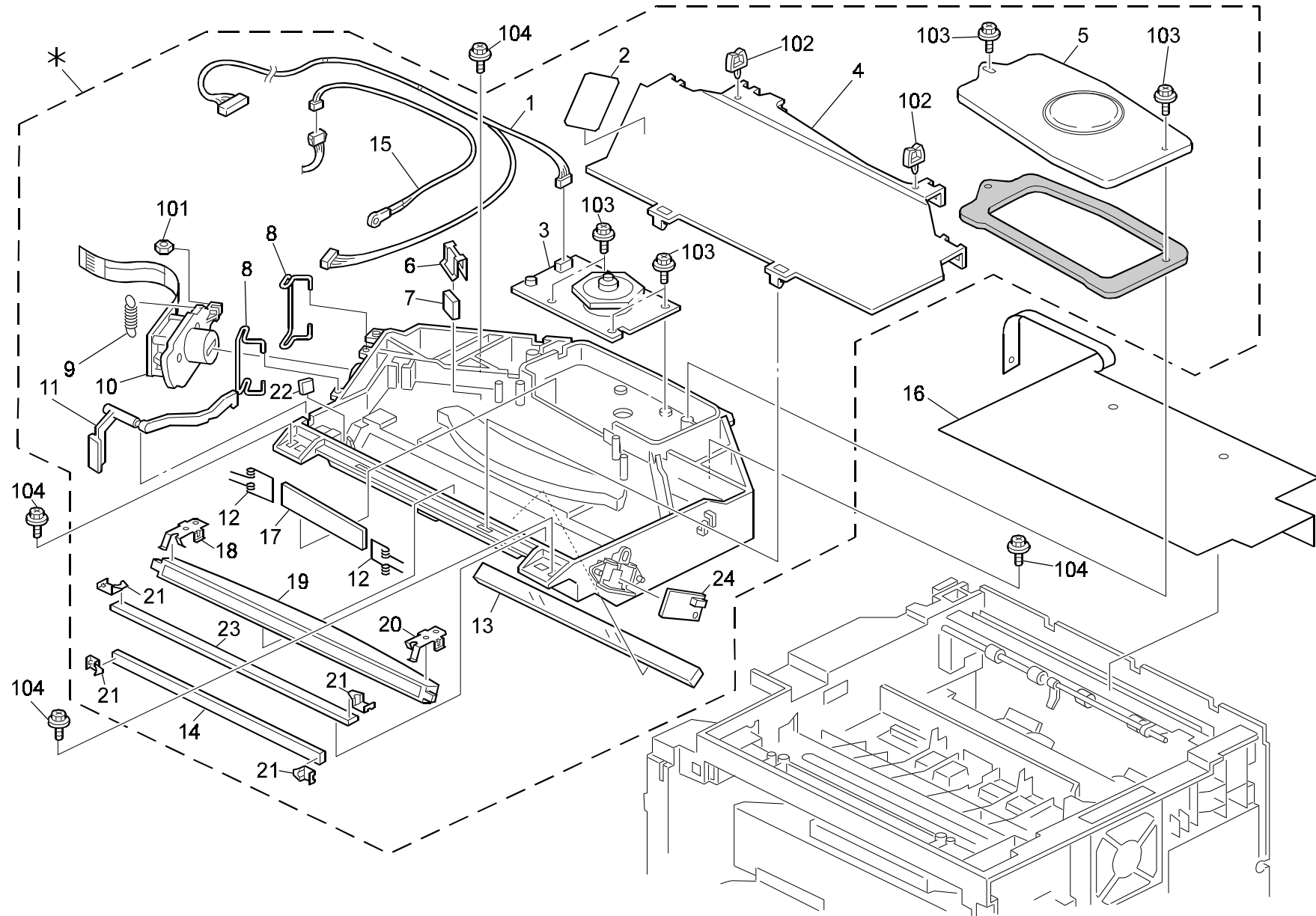
1.EXTERIOR (G056/G058)	2
2.LD UNIT (G056/G058).....	4
3.PAPER REGISTRATION 1 (G056/G058)	6
4.PAPER REGISTRATION 2 (G056/G058)	8
5.TRANSPORT GUIDE 1 (G056/G058)	10
6.TRANSPORT GUIDE 2 (G056/G058)	12
7.CASSETTE (G056/G058).....	14
8.FUSING UNIT 1 (G056/G058).....	16
9.FUSING UNIT 2 (G056/G058).....	18
10.PAPER FEED DRIVE (G056/G058).....	20
11.ELECTRICAL SECTION 1 (G056/G058)	22
12.ELECTRICAL SECTION 2 (G056/G058)	24
13.CONTROLLER BOARD (G056/G058)	26
14.ENGIN BOARD (G056/G058).....	30
15.DECAL AND DOCUMENT (G056/G058)	34
PARTS INDEX.....	37

October ,13 ' 2000


1.EXTERIOR (G056/G058)



2.LD UNIT (G056/G058)

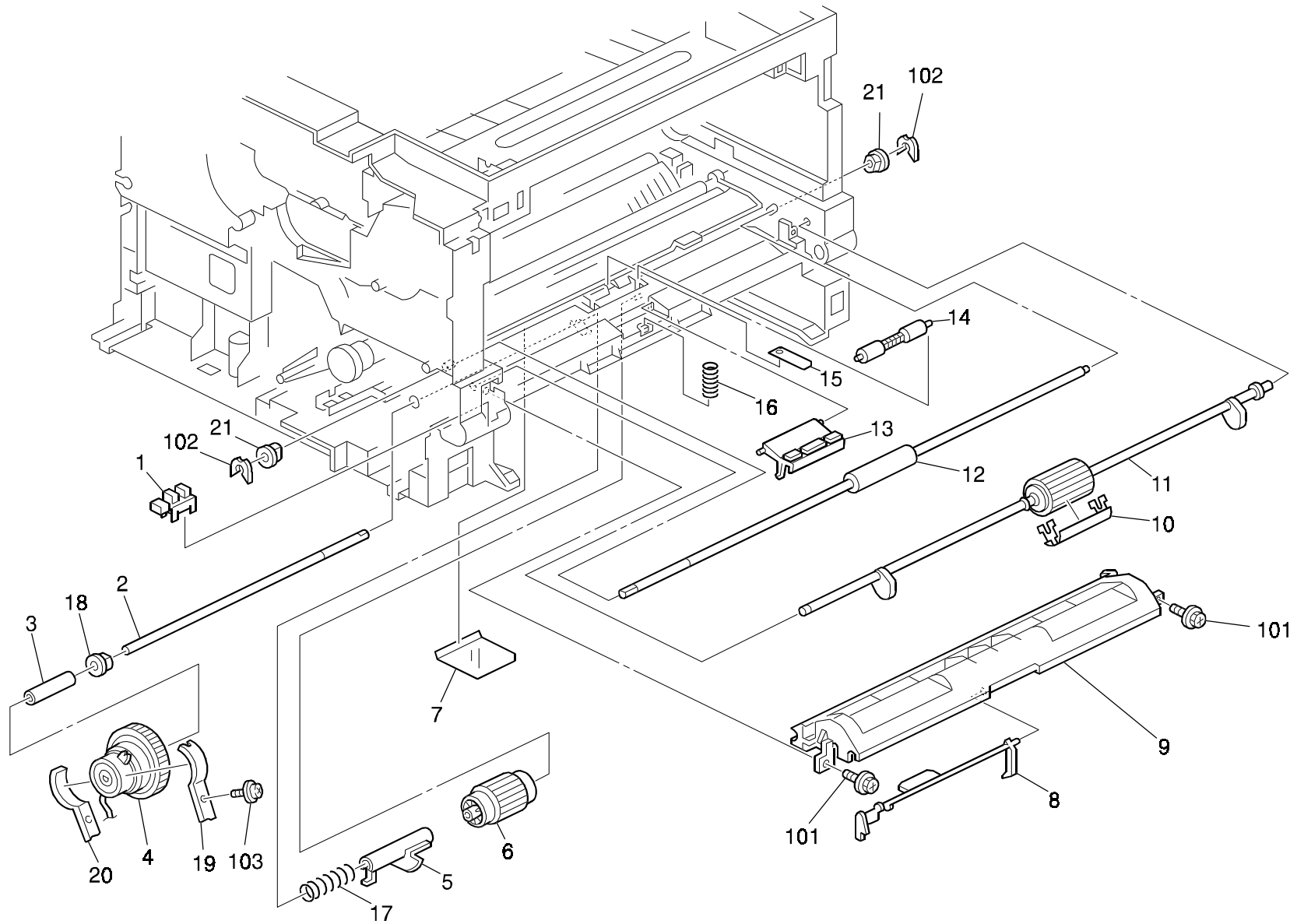


2.LD UNIT (G056/G058)

Index No.	Part No.	Description	Q'ty Per Assembly
*	G052 2701	Laser Unit Ass'y	1
1	G052 5403	Harness - LD Unit	1
2	G029 1980	Decal - LD	1
3	G052 2770	Polygon Mirror Motor	1
4	G052 2786	Laser Unit Cover	1
5	G052 2788	Polygon Motor Cover	1
6	G052 2773	Cylindrical Lens Holder	1
7	GC02 4007	Cylindrical Lens	1
8	G052 2763	LD Holder	2
9	G052 2764	Spring - LD Unit	1
10	G052 2760	LD Unit	1
11	G052 2780	Shutter - LD	1
12	G052 2777	Spring Holder - Shield Glass	2
13	GC01 5006	Shield Glass	1
14	GC03 0026	Mirror - 1	1
15	G052 3543	Thermistor - 103AT-2 15W	1
16	G052 1217	Shielding Plate	1
17	GC01 5005	Shield Glass - Polygon Motor	1
18	G052 2771	Right DTL Holder	1
19	GC02 5010	DTL	1
20	G052 2772	Left DTL Holder	1
21	G052 2774	Mirror Clamp	4
22	GC03 0028	Mirror - Sync Detector	1
23	GC03 0027	Mirror - 2	1
24	G052 5060	Synchronization Detector	1
			

Index No.	Part No.	Description	Q'ty Per Assembly
101	0712 0030B	Hexagon Nut - M3	
102	1105 0229	Clamp	
103	0450 3008B	Tapping Screw - M3x8	
104	0450 3012B	Tapping Screw -3x12	

3.PAPER REGISTRATION 1 (G056/G058)

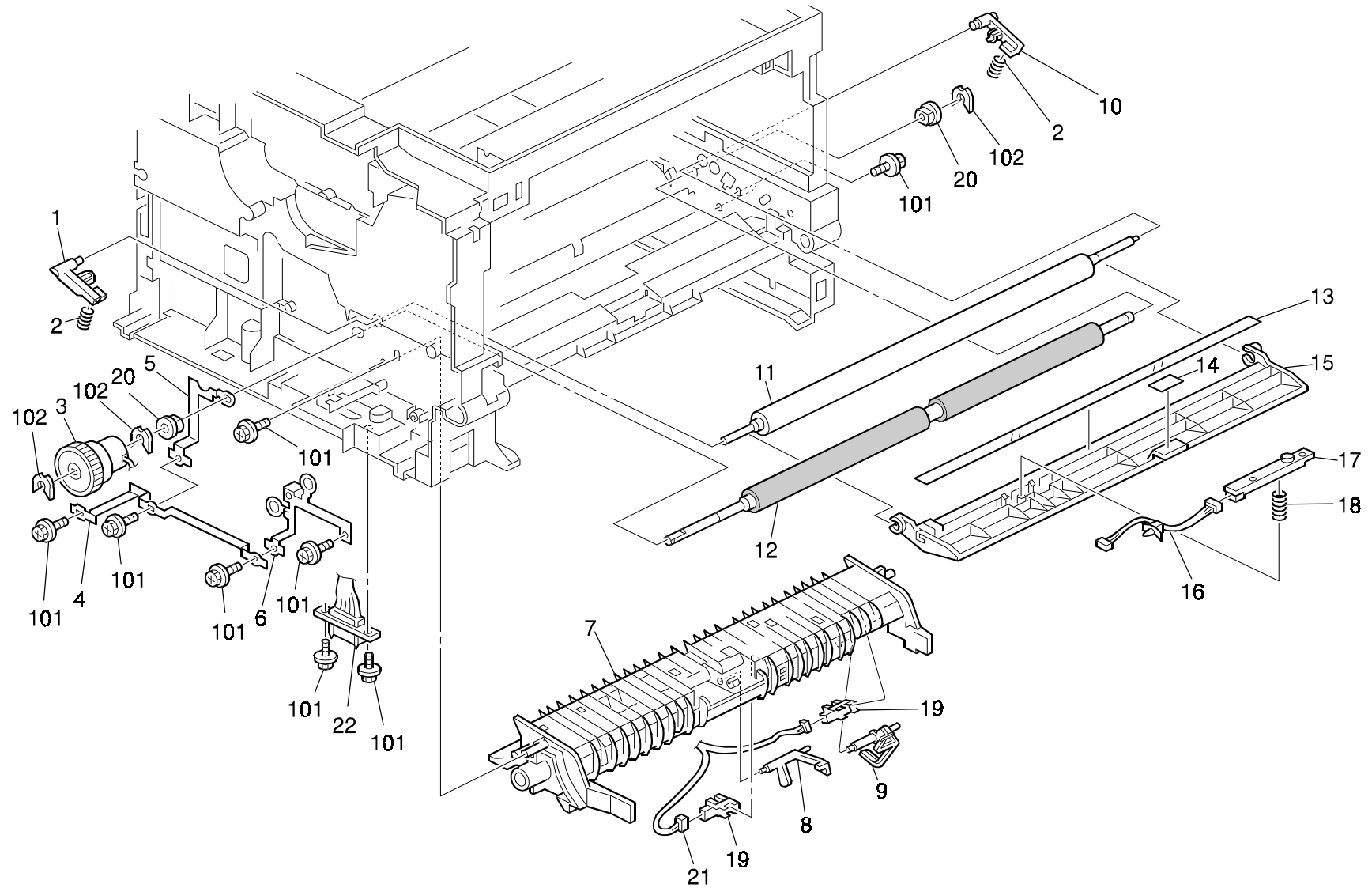


3.PAPER REGISTRATION 1 (G056/G058)

Index No.	Part No.	Description	Q'ty Per Assembly
1	AW02 0056	Photointerrupter - EE-SX4235A-P1	1
2	G052 3101	Shaft - Paper Feed	1
3	H306 3407	Registration Spacer	1
4	AX20 0211	Magnetic Clutch - Z56	1
5	G052 3106	Bushing - Paper Feed Roller	1
6	G052 3112	Paper Feed Roller	1
7	G052 3109	Film - Paper Feed Guide	1
8	G052 3286	Feeler - Bypass	1
9	G052 3280	Frame - Bypass Feed	1
10	G029 2767	By-pass Feed Cover	1
11	G052 3288	Bypass Feed Roller	1
12	G052 3332	Paper Transport Roller	1
13	G052 3290	Separation Pad - Bypass	1
14	G052 3303	Paper Transport Roller	1
15	G052 3304	Spring Plate - Paper Transport	1
16	G029 2757	Spring - 2.75n	1
17	G029 2657	Compression Spring	1
18	G052 3106	Bushing - Paper Feed Roller	1
19	G052 3117	Clutch Balancer - Right	1
20	G052 3116	Clutch Balancer - Left	1
21	AA08 2058	Bushing - 6x10x9mm	2

Index No.	Part No.	Description	Q'ty Per Assembly
101	0450 3010B	Tapping Screw - M3x10	
102	0805 0089	Retaining Ring - M4	
103	0451 3006B	Tapping Screw - M3x6	

4.PAPER REGISTRATION 2 (G056/G058)

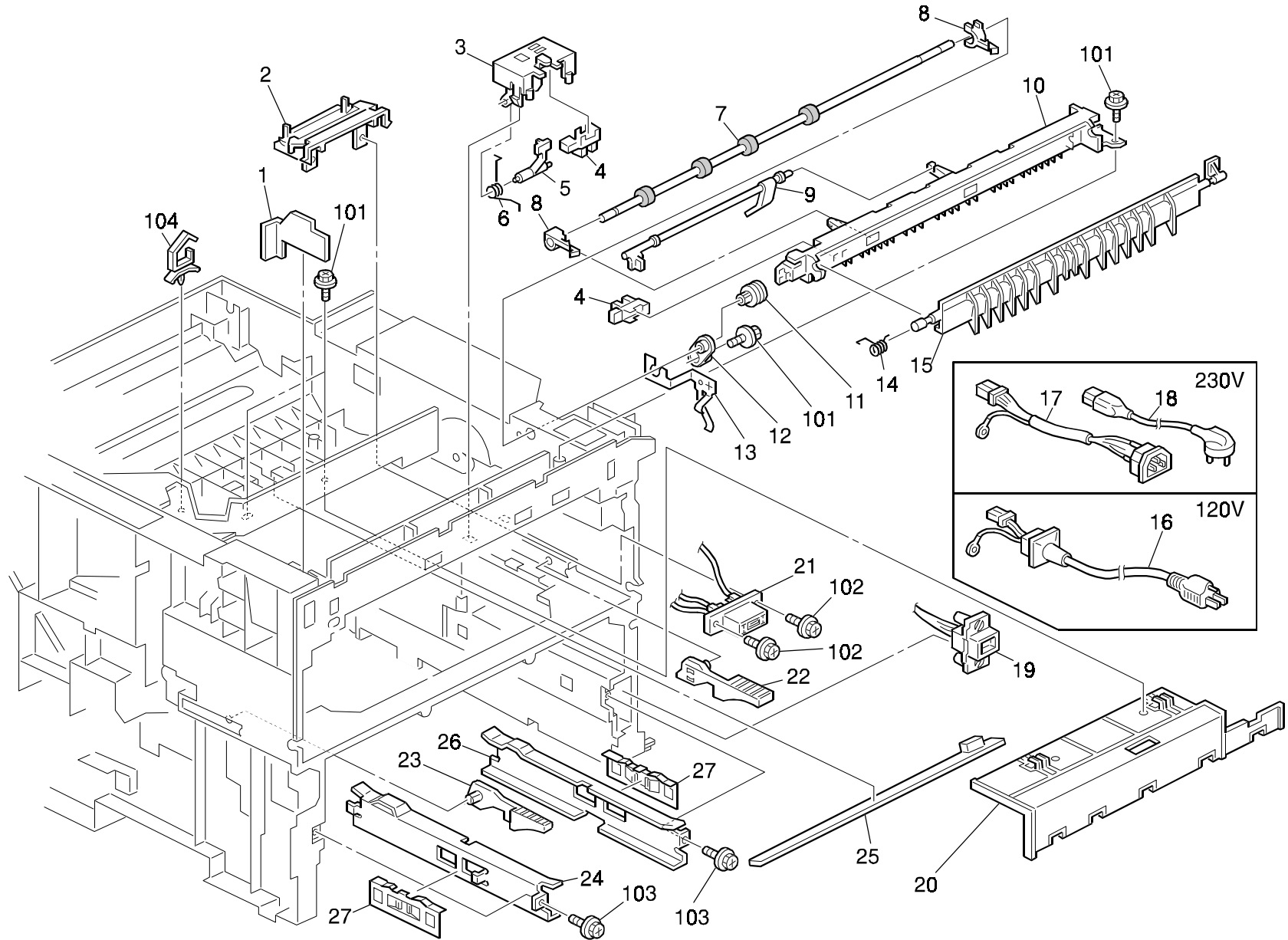


4.PAPER REGISTRATION 2 (G056/G058)

Index No.	Part No.	Description	Q'ty Per Assembly
1	G052 3258	Left Bushing - Registration	1
2	AA06 3539	Spring - Registration Roller	2
3	AX20 0208	Magnetic Clutch - Z45	1
4	G052 3337	Ground Plate - Drive	1
5	G052 3336	Ground Plate - Registration	1
6	G052 3335	Ground Plate - Paper Feed	1
7	G052 3100	Stay - Paper Feed	1
8	G052 3104	Paper End Feeler	1
9	G052 3105	Near End Feeler	1
10	G052 3257	Right Bushing - Registration	1
11	G052 3315	Registration Guide Roller	1
12	G052 3316	Registration Roller	1
13	G052 3267	Film - Registration	1
14	G052 3351	Decal - Registration	1
15	G052 3266	Upper Registration Guide	1
16	G052 5404	Interface Harness - Toner End Sensor	1
17	G052 3390	Toner End Sensor	1
18	G052 3396	Spring - Toner End Sensor	1
19	AW02 0119	Photointerruptor - Lg-248I1	2
20	AA08 2047	Bushing - 8x16x7	2
21	G052 5400	Interface Harness - Paper Feed	1
22	G052 5412	Harness - PFU	1

Index No.	Part No.	Description	Q'ty Per Assembly
101	0450 3008B	Tapping Screw - M3x8	
102	0805 0088	Retaining Ring - M6	

5. TRANSPORT GUIDE 1 (G056/G058)

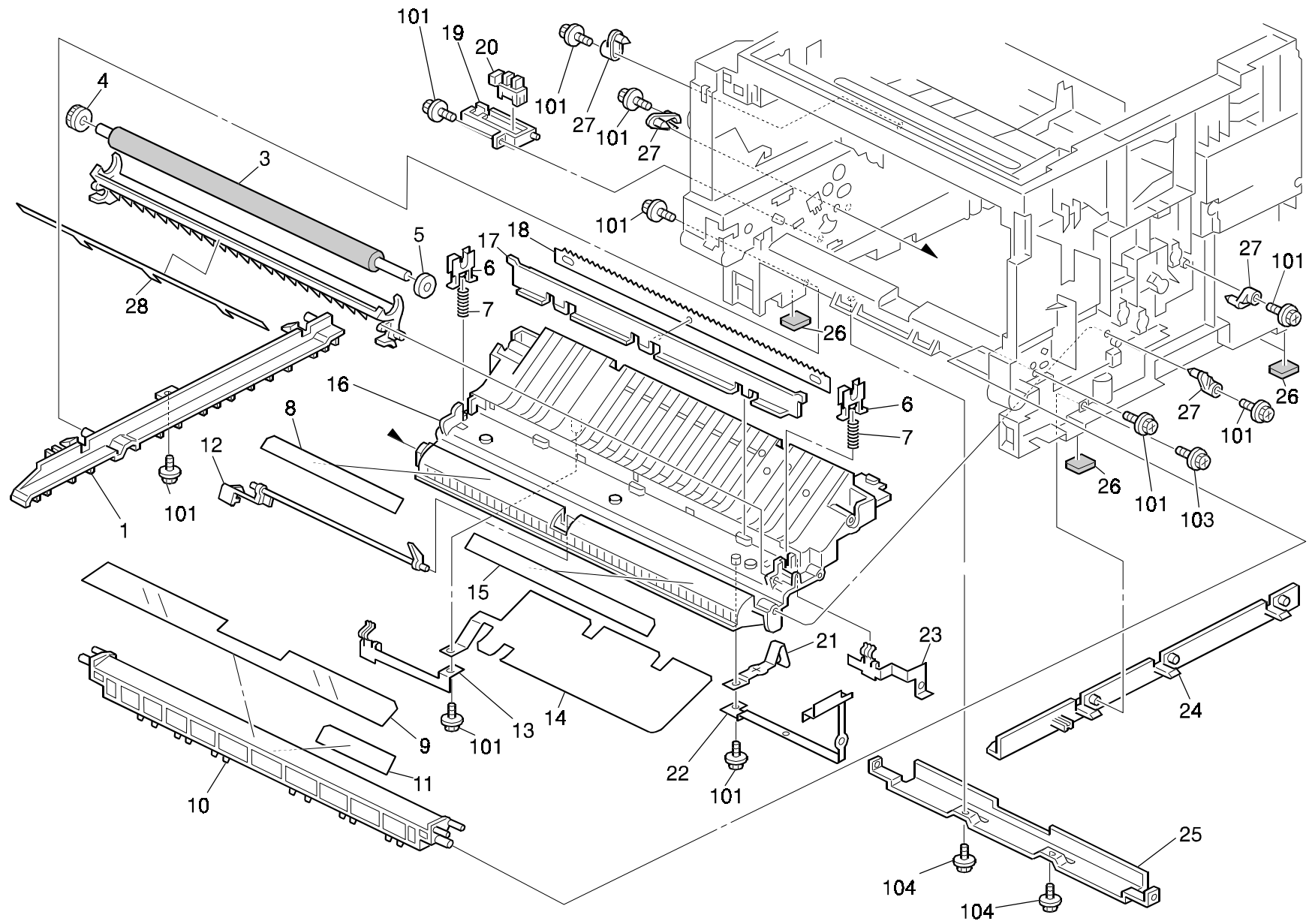


5. TRANSPORT GUIDE 1 (G056/G058)

Index No.	Part No.	Description	Q'ty Per Assembly
1	G052 1274	Micro Switch Lever	1
2	G052 1056	Fusing Drawer Bracket	1
3	G052 1044	Exit Feeler Holder	1
4	AW02 0119	Photointerruptor - Lg-24811	1
5	G052 1042	Fusing Exit Feeler	1
6	G052 1046	Spring - Fusing Exit Feeler	1
7	G052 4850	Paper Exit Roller	1
8	G052 1048	Middle Bushing - Paper Exit	2
9	G052 1043	Paper Exit Feeler	1
10	G052 1041	Paper Exit Bracket	1
11	G052 4855	Pulley - Paper Exit	1
12	G052 1049	Bushing - Paper Exit	1
13	G052 1262	Ground Plate - Upper Option	1
14	G052 1088	Gate Pawl Spring	1
15	G052 1087	Junction Gate Pawl	1
16	G052 5511	Power Cord - 115V	1
17	G029 5524	Inlet - 230V	1
18	GZ00 0003	Power Cord - 230V	1
19	G052 5414	Harness - Duplex	1
20	G052 1022	Fusing Stopper Plate	1
21	G052 5423	Fusing Harness - 120V	1
21	G052 5424	Fusing Harness - 230V	1
22	G052 4697	Left Fusing Lock Lever	1
23	G052 4696	Right Fusing Lock Lever	1
24	G052 1025	Right Duplex Guide Rail	1
25	G052 3522	Discharge Lamp	1
26	G052 1026	Left Duplex Guide Rail	1
27	G052 1027	Spring Plate - Duplex Rail	2

Index No.	Part No.	Description	Q'ty Per Assembly
101	0450 3008B	Tapping Screw - M3x8	
102	0450 4010B	Tapping Screw - 4x10	
103	0451 3014B	Tapping Screw - M3-14	
104	1105 0310	Harness Clamp - LWS-1S	

6. TRANSPORT GUIDE 2 (G056/G058)

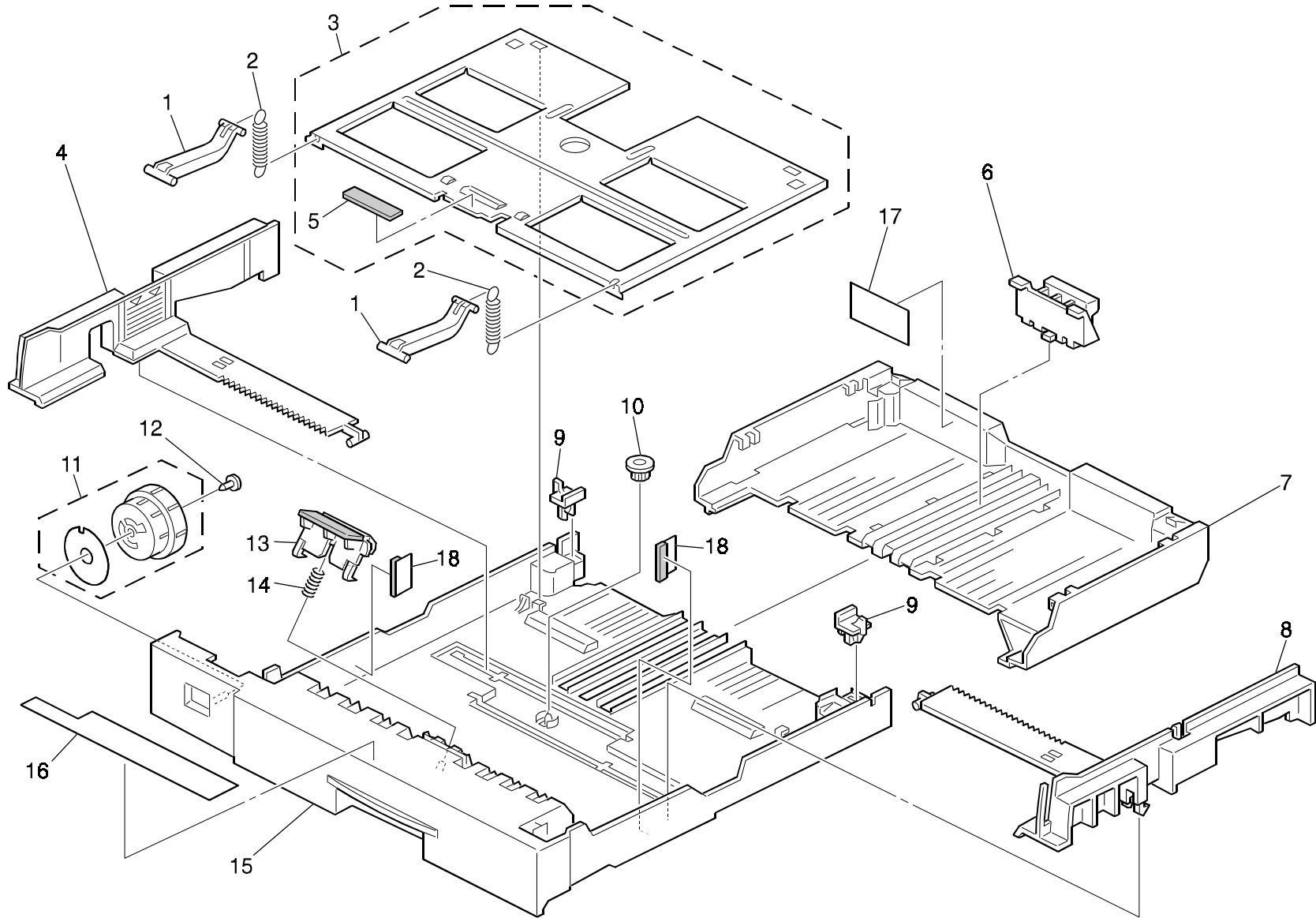


6. TRANSPORT GUIDE 2 (G056/G058)

Index No.	Part No.	Description	Q'ty Per Assembly
1	G052 3082	Left Cassette Rail	1
2	G052 3620	Transfer Roller Guide	1
3	G052 3616	Transfer Roller	1
4	G052 3615	Gear - Transfer Roller	1
5	G052 3614	Positioning Roller - Transfer	1
6	G052 3626	Left Bushing - Transfer	2
7	G052 3627	Spring - Transfer	2
8	G052 3345	Registration Guide Sheet1	1
9	G052 3306	Transport Roller Guide	1
10	G052 3294	Paper Transport Guide	1
11	G052 3294	Paper Transport Guide	1
12	G052 3254	Registration Feeler	1
13	G052 3624	Separation Terminal	1
13	G052 3629	Paper Transport Terminal	1
14	G052 3628	Ground Plate - Paper Transport	1
15	G052 3346	Registration Guide Sheet2	1
16	G052 1018	Paper Transport Guide	1
17	G052 3622	Separation Plate Cover	1
18	G052 3621	Separation Plate	1
19	G052 3323	Registration Sensor Bracket	1
20	AW02 0119	Photointerruptor - LG-24811	1
21	G052 1256	Development Terminal - High Voltage	1
22	G052 1253	Development Terminal	1
23	G052 3624	Separation Terminal	1
24	G052 3081	Right Cassette Rail	1
25	G052 3301	Support Stay - Bypass	1
26	G030 1052	Rubber Foot	4
27	G052 1019	Pin - Transport Guide	4
28	G052 3641	Transfer Guide Sheet	1


Index No.	Part No.	Description	Q'ty Per Assembly
101	0450 3008B	Tapping Screw - M3x8	
102	0451 3006B	Tapping Screw - M3x6	
103	0450 4010B	Tapping Screw - 4x10	
104	0450 3010B	Tapping Screw - M3x10	

7.CASSETTE (G056/G058)

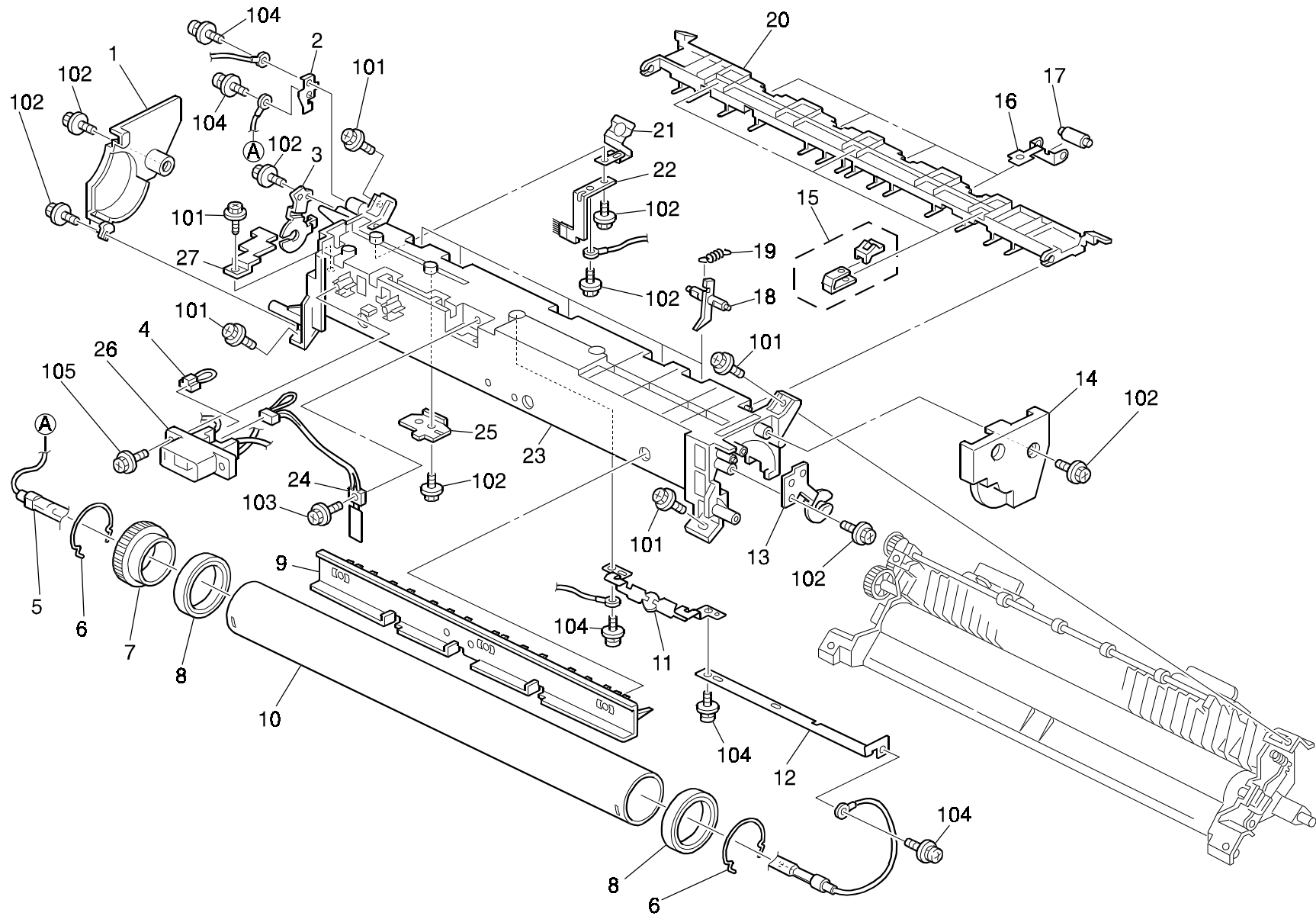


7.CASSETTE (G056/G058)

Index No.	Part No.	Description	Q'ty Per Assembly
1	G800 3129	Cassette Arm	2
2	G052 3083	Spring - Bottom Plate	2
3	G052 3053	Bottom Plate	1
4	G052 3055	Left Side Fence	1
5	G029 2608	Base Pad	1
6	G052 3057	End Fence	1
7	G052 3052	Paper Tray - Rear	1
8	G052 3056	Right Side Fence	1
9	G029 2609	Cassette Protection	2
10	G800 3133	Side Fence Gear	1
11	G052 3085	Paper Size Dial	1
11	G052 3095	Paper Size Dial - Eur/Asia	1
12	G052 3080	Pin - Paper Size Dial	1
13	G052 3135	Friction Pad	1
14	G800 3147	Pressure Spring - 2.8n	1
15	G052 3051	Paper Tray - Front	1
16	G052 3079	Decal - Paper Set	1
17	G052 3078	Decal - Tray Extension	1
18	G052 3114	Sheet Cassette	2

Index No.	Part No.	Description	Q'ty Per Assembly
			

8.FUSING UNIT 1 (G056/G058)

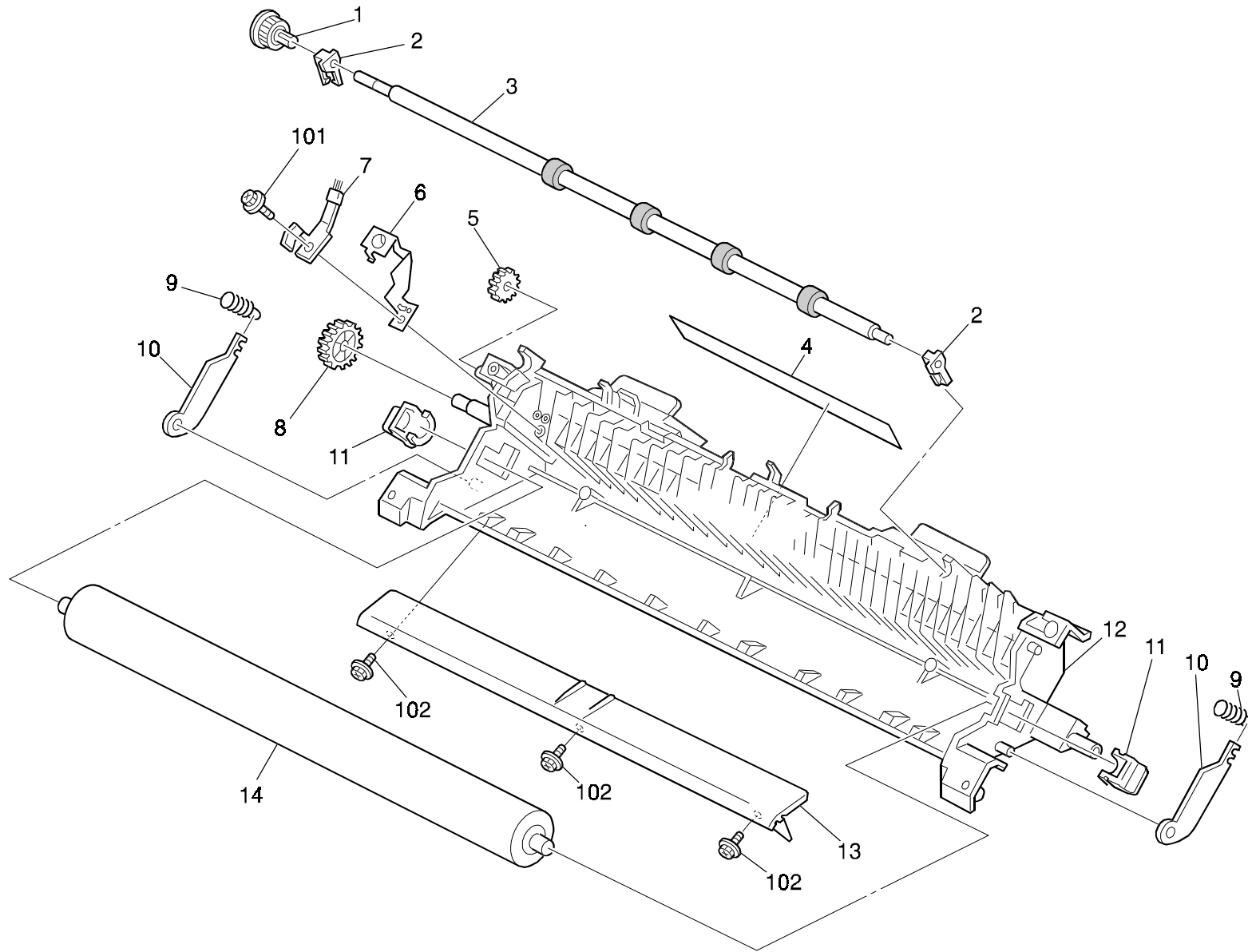


8.FUSING UNIT 1 (G056/G058)

Index No.	Part No.	Description	Q'ty Per Assembly
1	G052 4698	Fusing Left Cover	1
2	G052 4617	Heater Terminal	1
3	G052 4615	Left Fusing Lamp Bracket	1
4	G052 5520	Drawer Ass'y - Fusing Set - 115V	1
4	G052 5521	Drawer Ass'y - Fusing Set - 230V	1
5	G052 5544	Fusing Lamp - 120V/750W	1
5	G052 5545	Fusing Lamp - 230V/750W	1
6	G052 4700	External Circlip	2
7	G052 4619	Hot Roller Gear	1
8	G052 4618	Bearing 30x42x7	2
9	G052 4645	Upper Fusing Entrance Guide	1
10	G052 4612	Hot Roller	1
11	G052 4611	Thermostat	1
12	G052 4602	Terminal Plate - Thermostat	1
13	G052 4616	Right Fusing Lamp Bracket	1
14	G052 4699	Fusing Right Cover	1
15	G052 4617	Heater Terminal	3
16	G052 4639	Exit Roller Holder	4
17	G800 4854	Exit Roller	4
18	G052 4624	Hot Roller Stripper	4
19	G052 4622	Spring - Fusing Stripper	4
20	G052 4635	Fusing Exit Guide	1
21	G052 4690	Ground Plate - Fusing	1
22	G052 4642	Discharge Brush - Fusing	1
23	G052 4629	Fusing Upper Frame	1
24	G052 5501	Fusing Thermistor	1
25	G052 4625	Harness Holder - Fusing	1
26	G052 5500	Fusing Drawer - 120V	1
26	G052 5510	Fusing Drawer - 230V	1
27	G052 4695	Harness Cover	1

Index No.	Part No.	Description	Q'ty Per Assembly
101	0450 3012B	Tapping Screw -3x12	
102	0450 3008B	Tapping Screw - M3x8	
103	0954 3010B	Philips Screw - M3x10	
104	0954 3008B	Philips Screw - M3x8	
105	0450 3010B	Tapping Screw - M3x10	

9.FUSING UNIT 2 (G056/G058)

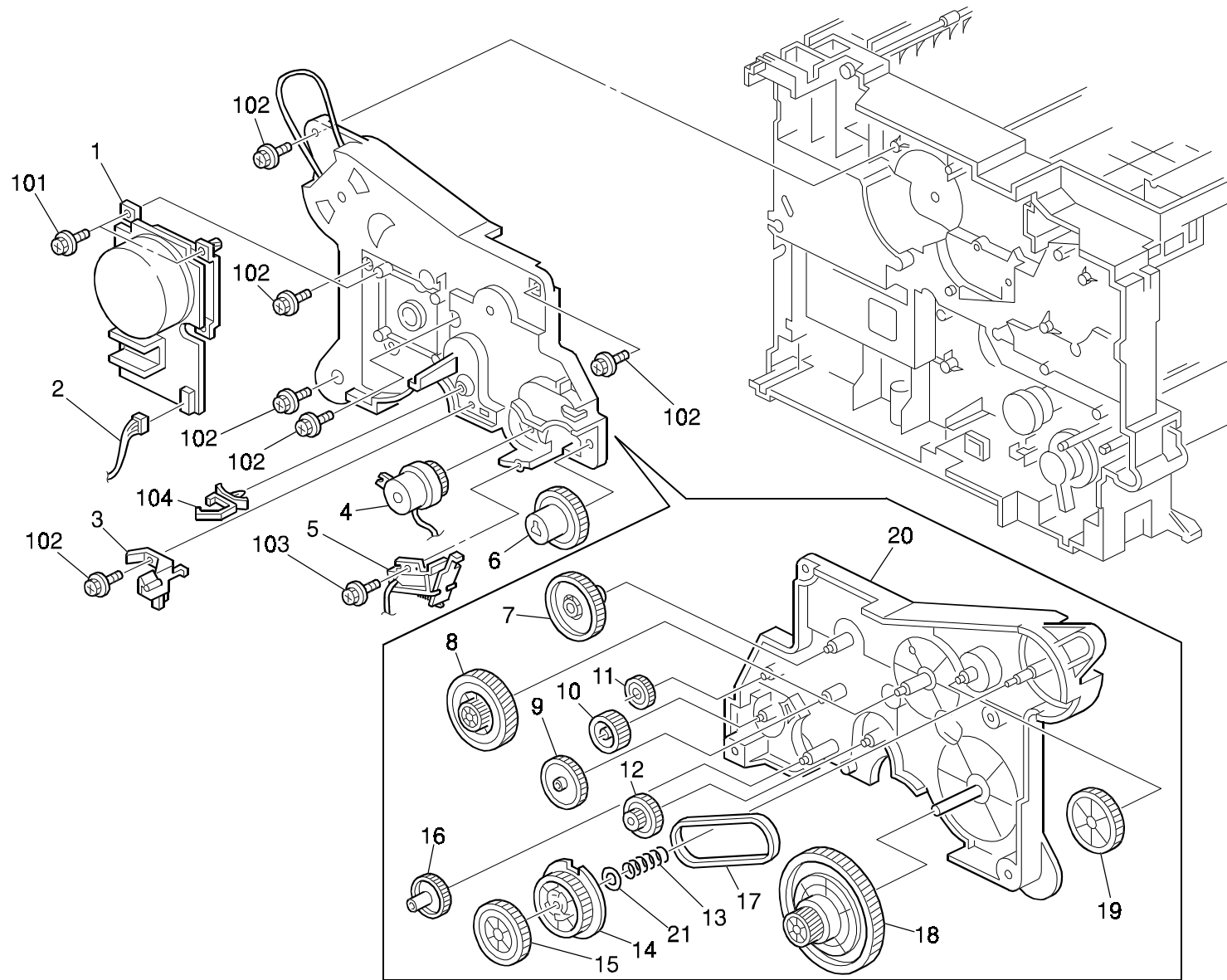


9.FUSING UNIT 2 (G056/G058)

Index No.	Part No.	Description	Q'ty Per Assembly
1	G052 4673	Gear - Paper Exit	1
2	G800 4851	Bushing	2
3	G052 4674	Fusing Exit Roller	1
4	G052 4693	Decal - High Temperature	1
5	G052 4676	Gear - Fusing Idler	1
6	G052 4691	Ground Plate - Fusing Pressure	1
7	G052 4692	Discharge Brush - Pressure	1
8	G052 4677	Gear - Fusing Idler	1
9	G052 4664	Spring - Fusing	2
10	G052 4662	Pressure Roller Lever	2
11	G052 4665	Bushing - Pressure Roller	2
12	G052 4650	Fusing Lower Frame	1
13	G052 4681	Fusing Entrance Guide	1
14	G052 4656	Fusing Pressure Roller	1

Index No.	Part No.	Description	Q'ty Per Assembly
101	0450 3008B	Tapping Screw - M3x8	
102	0450 3010B	Tapping Screw - M3x10	

10.PAPER FEED DRIVE (G056/G058)

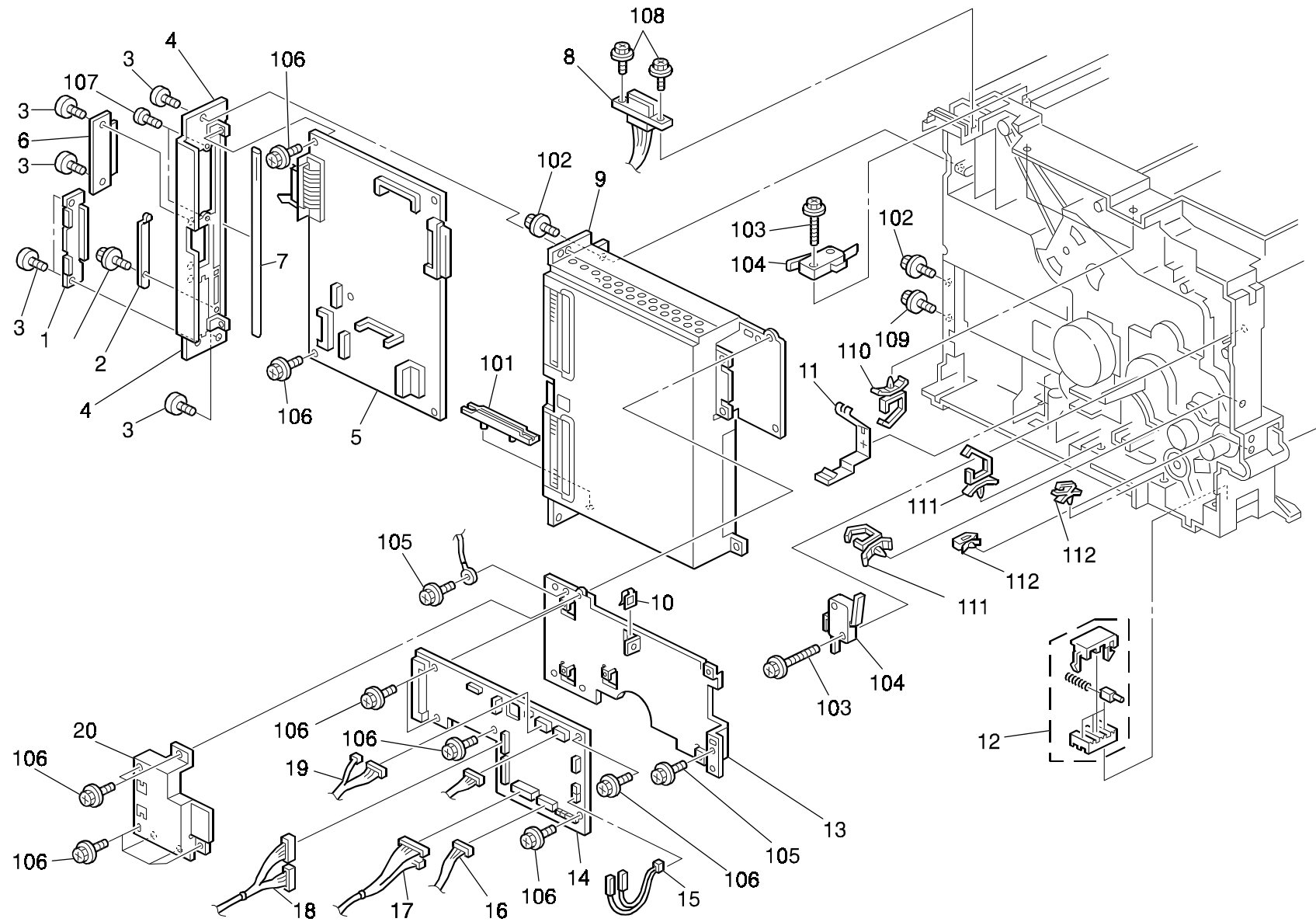


10.PAPER FEED DRIVE (G056/G058)

Index No.	Part No.	Description	Q'ty Per Assembly
1	G052 1150	Main Motor - DC20W	1
2	G052 5414	Harness - Duplex	1
3	G052 1122	Magnetic Clutch Holder	1
4	AX20 0209	Magnetic Clutch - Z25	1
5	G052 3388	Solenoid - DC24V	1
6	G052 3297	Spring Clutch - Bypass	1
7	G052 1108	Gear - Paper Feed 1	1
8	G052 1104	Gear - Fusing 1	1
9	G052 1109	Gear - Paper Feed 2	1
10	G052 1113	Gear - Paper Feed 6	1
11	G052 1112	Gear - Paper Feed 5	1
12	G052 1110	Gear - Paper Feed 3	1
13	G052 1120	Spring - Paper Exit Release	1
14	G052 1107	Gear - Pulley - Fusing	1
15	G052 1106	Gear - Fusing 3	1
16	G052 1111	Gear - Paper Feed 4	1
17	G052 1121	Drive Belt	1
18	G052 1103	Gear - PCU	1
19	G052 1105	Gear - Fusing 2	1
20	G052 1102	Drive Unit Bracket	1
21	5353 1803	Wave Washer	1

Index No.	Part No.	Description	Q'ty Per Assembly
101	0450 4010B	Tapping Screw - 4x10	
102	0450 3010B	Tapping Screw - M3x10	
103	0450 3008B	Tapping Screw - M3x8	
104	1105 0292	Wire Saddle	

11.ELECTRICAL SECTION 1 (G056/G058)

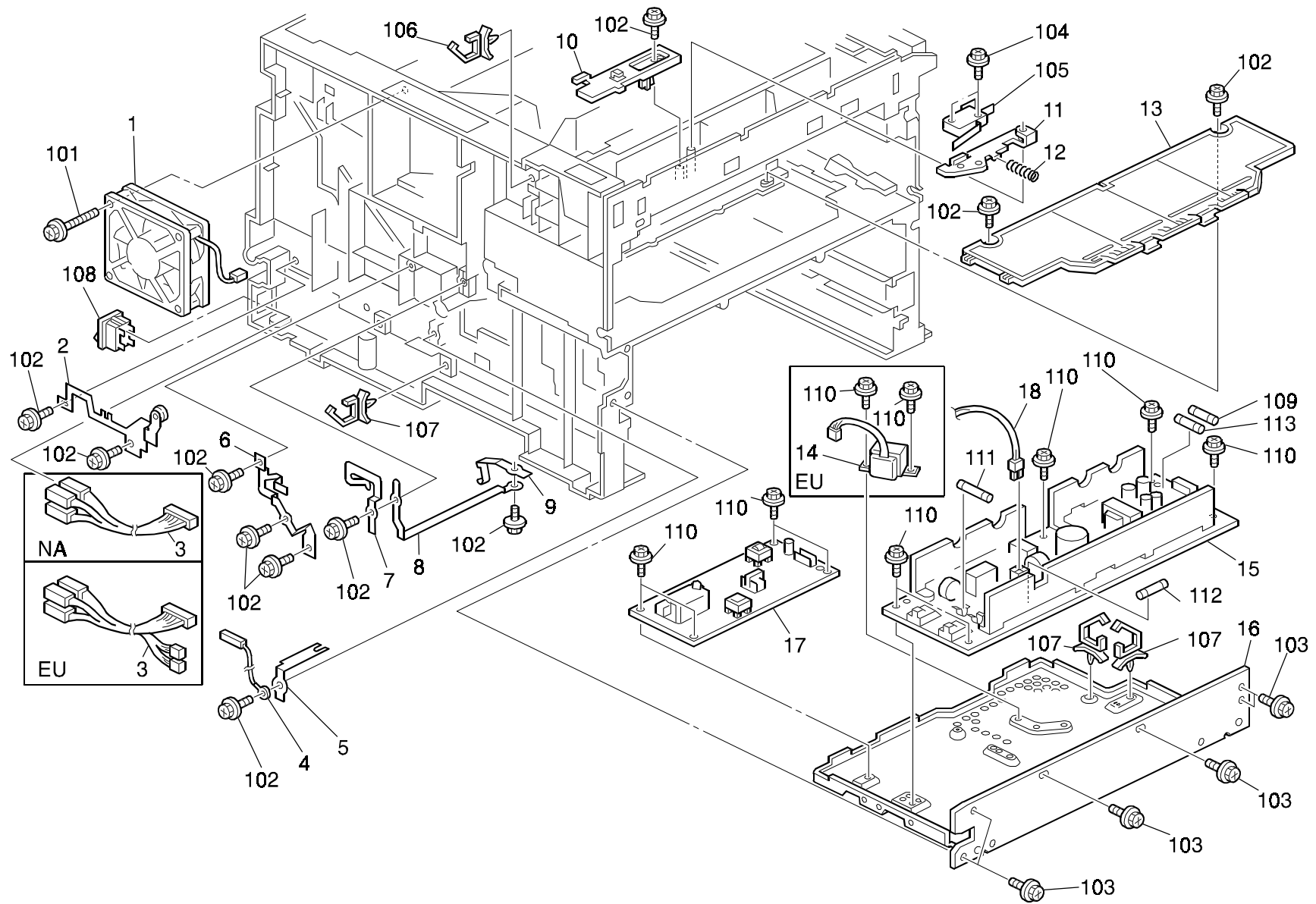


11.ELECTRICAL SECTION 1 (G056/G058)

Index No.	Part No.	Description	Q'ty Per Assembly
1	G056 6005	HDD Cover	1
2	G056 6006	IC Card Slot Cover	1
3	G056 6003	Flat Screw	1
4	G056 6001	Controller Bracket	1
5	G056 5712	PCB - Controller Board	1
6	G056 6004	NIB Cover	1
7	G056 6021	Gasket - UC-3E0595	1
8	G052 5413	Harness - Paper Exit - Option	1
9	G052 1241	Controller Board Bracket	1
10	G052 1212	Clip	1
11	G052 1261	Ground Plate - Option Tray	1
12	G800 3035	Push Sw - Paper Size	1
13	G052 1211	Engine Board Bracket	1
14	G052 5131	PCB - Engine Board - US	1
14	G052 5132	PCB - Engine Board - Eur/Asia	1
15	G052 5410	Harness - Interlock	1
16	G052 5414	Harness - Duplex	1
17	G052 5412	Harness - PFU	1
18	G052 5428	Harness - Power Cord	1
18	G052 5421	Harness - Power Cord - 230V	1
19	G052 5413	Harness - Paper Exit - Option	1
20	G052 1216	Engine Board Cover	1





Index No.	Part No.	Description	Q'ty Per Assembly
101	1005 0808	C/T Guide Rail	
102	0451 4006H	Tapping Screw - M4x6	
103	0450 3016B	Tapping Screw - M3x16	
104	1204 2521	Micro Switch	
105	0450 3008B	Tapping Screw - M3x8	
106	0451 3006B	Tapping Screw - M3x6	
107	0353 0080Z	Philips Trass Head Screw - M3x8	
108	0450 3010B	Tapping Screw - M3x10	
109	0450 3008H	Tapping Screw M3x8	
110	1105 0310	Harness Clamp - LWS-1S	
111	1105 0292	Wire Saddle	
112	1105 0199	Clamp	

12.ELECTRICAL SECTION 2 (G056/G058)



12.ELECTRICAL SECTION 2 (G056/G058)

Index No.	Part No.	Description	Q'ty Per Assembly
1	GX64 0018	Cooling Fan - DC 24V/4.3W	1
2	G052 3338	Ground Plate - Registration Guide	1
3	G052 5409	Harness - Main Switch	1
3	G052 5422	Harness - Main SW 230W	1
4	G052 5419	Harness - Power Pack	1
5	G052 3623	Transfer Terminal	1
6	G052 1252	Drum Terminal	1
7	G052 1251	Charge Terminal	1
8	G052 1254	Inner Terminal - Charge	1
9	G052 1255	Charge Terminal - High Voltage	1
10	G052 1275	Micro Switch Cover	1
11	G052 1272	Rear Cover Sw Bracket	1
12	G052 1273	Spring - Micro Switch	1
13	G052 1021	PSU Top Cover	1
14	N607 4525	Coil - RITL-9704	1
15	G052 5210	Power Supply Unit - 120V	1
15	G052 5211	Power Supply Unit - 230V	1
16	G052 1224	PSU Bracket	1
16	G052 1225	PSU Bracket - 230V	1
17	G052 5300	Power Pack	1
18	G052 5428	Harness - Power Cord	1

Index No.	Part No.	Description	Q'ty Per Assembly
101	0450 4035B	Philips Tapping Screw - M4x35	
102	0450 3008B	Tapping Screw - M3x8	
103	0450 3008H	Tapping Screw M3x8	
104	0451 3014B	Tapping Screw - M3-14	
105	1204 2521	Micro Switch	
106	1105 0199	Clamp	
107	1105 0292	Wire Saddle	
108	1204 2477	Locker Switch - AC250V 10A	
109	1107 0884	Fuse - 5A 250V (EU FU4)	
109	1107 0868	Fuse - 5A 125V (NA FU4)	
110	0802 5276	Tapping Screw With Washer - M3x6	
111	1107 0629	Fuse - 15A - 125V (NA FU1)	
112	1107 0877	Fuse - 3.15A 250V (EU FU2)	
112	1107 0880	Fuse - 6.3A 250V (NA FU2)	
113	1107 0884	Fuse - 5A 250V (EU FU3)	
113	1107 0868	Fuse - 5A 125V (NA FU3)	
			
			
			
			

13.CONTROLLER BOARD (G056/G058)

CAPACITOR

SYMBOL NO.	INDEX NO.	SYMBOL NO.	INDEX NO.	SYMBOL NO.	INDEX NO.	SYMBOL NO.	INDEX NO.	SYMBOL NO.	INDEX NO.	SYMBOL NO.	INDEX NO.	SYMBOL NO.	INDEX NO.
C1	133	C25	162	C44	132	C57	162	C84	---	C124	---	C177	162
C3	161	C26	161	C45	---	C58	162	C87	161	C125	---	C178	162
C12	161	C27	158	C48	---	C59	161	C88	162	C127	162	C179	162
C13	156	C31	155	C49	---	C60	162	C89	162	C141	155	C180	161
C14	161	C36	---	C50	---	C69	162	C90	158	C148	133	C181	161
C15	161	C37	---	C52	---	C70	161	C91	158	C149	155	C183	132
C16	156	C38	---	C53	---	C74	162	C92	158	C152	162	C184	132
C17	159	C40	---	C54	---	C75	162	C93	158	C156	162	C185	132
C18	161	C42	---	C55	161	C76	161	C95	162	C165	162	C186	162
C19	161	C43	162	C56	162	C81	155	C123		C166	162	C187	161

CAPACITOR

SYMBOL NO.	INDEX NO.	SYMBOL NO.	INDEX NO.	SYMBOL NO.	INDEX NO.	SYMBOL NO.	INDEX NO.	SYMBOL NO.	INDEX NO.	SYMBOL NO.	INDEX NO.	SYMBOL NO.	INDEX NO.
C188	134	C222	134	C240	162	C250	132	C260	132	C270	162	C280	156
C189	162	C229	162	C241	132	C251	161	C261	132	C271	161	C281	157
C190	134	C230	162	C242	162	C252	132	---	---	C272	161	C282	157
C191	134	C232	162	C243	162	---	---	C263	---	C273	155	C283	161
C207	134	C233	162	C244	162	C254	162	C264	155	C274	---	C284	161
C209	134	C235	132	C245	132	C255	162	C265	161	C275	162	C285	161
C215	155	C236	162	C246	162	C256	132	C266	162	C276	161	C286	161
C217	134	C237	162	C247	132	C257	132	C267	155	C277	161	C287	---
C220	134	---	---	C248	132	C258	132	C268	161	C278	156	C288	---
C221	134	C239	162	C249	162	C259	132	C269	161	C279	156	C289	---

13.CONTROLLER BOARD (G056/G058)

CAPACITOR

SYMBOL NO.	INDEX NO.
C290	---
C291	---
C292	---
C293	---
C294	---
C295	---
C296	---
C297	161
C298	161

CONNECTOR

SYMBOL NO.	INDEX NO.
CN1	101
CN2	107
CN3	103
CN4	106
CN5	104
CN6	108
CN7	105
CN8	---
CN9	102
CN12	---

DIODE

SYMBOL NO.	INDEX NO.
D1	111
D2	111

FILTER

SYMBOL NO.	INDEX NO.
FIL1	135
FIL5	136
FIL6	135
FIL8	135
FIL9	135
FIL11	135
FIL17	136
FIL18	136
FIL19	136
FIL20	136

SYMBOL NO.	INDEX NO.
FIL21	136

IC

SYMBOL NO.	INDEX NO.
IC2	115
IC3	118
IC5	1
IC6	164
IC7	164
IC15	120
IC20	114
IC24	---
IC25	---
IC27	119

SYMBOL NO.	INDEX NO.
IC27	109
IC29	163
IC30	163
IC37	---
IC38	112
IC39	113
IC43	---
IC45	---
IC46	116
IC47	117

FILTER

SYMBOL NO.	INDEX NO.
IC48	121
IC49	122

FUSE

SYMBOL NO.	INDEX NO.
JP12	151
JP13	---
JP14	---
JP15	---
JP16	---
JP17	150
JP18	150
JP19	150
JP20	---
JP22	150

IC

SYMBOL NO.	INDEX NO.
JP23	150

OSC

SYMBOL NO.	INDEX NO.
OSC1	124

RESISTOR

SYMBOL NO.	INDEX NO.
R1	---
R5	139
R6	139
R7	139
R8	---
R9	---
R10	---
R11	---
R12	---
R13	---

SYMBOL NO.	INDEX NO.
R14	139
R16	141
R17	139
R18	139
R19	143
R21	143
R23	141
R25	144
R34	145
R35	145

SYMBOL NO.	INDEX NO.
R36	143
R37	144
R40	141
R41	141
R42	144
R46	142
R47	142
R48	143
R49	143
R50	143

SYMBOL NO.	INDEX NO.
R51	143
R87	147
R88	147
R89	140
R93	147
R98	147
R108	149
R110	138
R111	149
R112	139

13.CONTROLLER BOARD (G056/G058)

RESISTOR

SYMBOL NO.	INDEX NO.	SYMBOL NO.	INDEX NO.	SYMBOL NO.	INDEX NO.	SYMBOL NO.	INDEX NO.	SYMBOL NO.	INDEX NO.	SYMBOL NO.	INDEX NO.		
R113	146	R165	139	R186	---	R198	139	R219	154	R271	139	R283	---
R114	149	R166	---	R188	---	R199	139	R220	152	R272	139	R284	143
R132	139	R167	---	R189	---	R200	139	R221	152	R274	139	R285	143
R133	139	R168	143	R190	139	R201	139	R229	143	R275	139	R287	---
R134	139	R169	143	R191	---	R202	139	R230	136	R276	139	R288	---
R135	139	R170	143	R192	---	R203	139	R266	148	R278	---	R289	---
R139	140	R171	143	R193	---	R204	139	R267	138	R279	---	R290	143
R159	143	R172	143	R195	139	R205	139	R268	---	R280	138	R291	143
R163	---	R173	143	R196	139	R214	143	R269	139	R281	143	R292	143
R164	139	R184	139	R197	139	R218	153	R270	148	R282	143	R308	143

RESISTOR

SYMBOL NO.	INDEX NO.
R309	139

RN

SYMBOL NO.	INDEX NO.
RN1	130
RN10	130
RN11	130
RN12	130
RN13	131
RN14	131
RN15	131
RN16	130
RN17	130
RN18	130

SYMBOL NO.	INDEX NO.
RN19	131
RN20	131
RN21	131
RN22	131
RN23	131
RN24	130
RN25	130
RN26	130
RN27	130
RN28	130

SYMBOL NO.	INDEX NO.
RN29	130
RN30	130
RN31	126
RN65	129
RN72	126
RN73	126
RN74	126
RN80	130
RN82	127
RN83	128

SYMBOL NO.	INDEX NO.
RN84	128
RN85	128
RN86	128
RN92	130
RN100	129
RN101	130
RN102	130
RN103	130
RN104	130
RN105	130

SYMBOL NO.	INDEX NO.
RN106	130
RN107	130
RN108	130
RN110	130
RN111	130
RN112	125
RN113	125
RN114	125
RN115	125

SWITCH

SYMBOL NO.	INDEX NO.
SW1	---
SW2	110

REG

SYMBOL NO.	INDEX NO.
REG1	123
REG2	123

13.CONTROLLER BOARD (G056/G058)

Index No.	Part No.	Description	Q'ty Per Assembly
*	G056 5712	PCB - Controller Board	1
1	B004 5265	IC - ASIC - SIMAC3	1



Index No.	Part No.	Description	Q'ty Per Assembly
101	1102 7625	Connector - TX24-80R-LT-N1	
102	1102 7785	Connector - 57RE40360830BD29B	
103	1102 8153	Connector - FCN-568P068-G/05A-V4	
104	1102 8189	Dimm Connector - 54534-1440	
105	1102 8355	Connector - Dimm - DMM2-SD72A-1131	
106	1102 8356	IDE Connector	
107	1102 8357	Connector - 52777-0809	
108	1102 8358	Connector - WR-100P-VF60-1	
109	1104 0771	IC Socket - 28PIN	
110	1204 1542	Dip Switch	
111	1402 1343	Diode - RB106L-40	
112	1407 4919	IC - 74VHCT244 TSSOP	
113	1407 4920	IC - 74VHCT245 TSSOP	
114	1407 5040	IC - SN74LVC161284DL	
115	1407 5273	IC - RM5231-200Q-REV1.2C	
116	1407 5274	CMOS Logic - 74LVCH162244A TSSOP	
117	1407 5275	CMOS Logic - 74LVCHR16245A TSSOP	
118	1407 5278	Clock Generator - ICS9148BF-17	
119	1407 5335	RAM - STK12C68-P55	
120	1407 5337	CMOS Logic - 74LVCH16373A TSSOP	
121	1408 1273	IC - RN5VD28A	
122	1408 1398	Detector - RN5VD42A	
123	1408 1507	Regulator - PQ05VY3H3Z	
124	1503 0842	Oscillator - 14.31818Mhz	
125	1601 7751	Resistor - 4.7K Ω \pm 5%	
126	1601 7752	Resistor Array - 10K Ω \pm 5%	
127	1601 7760	Resistor Array	
128	1601 7867	Resistor - 33 Ω \pm 5% 1/16W	
129	1601 7871	Resistor - 68 Ω \pm 5% 1/16W	
130	1601 7898	Resistor Array	
131	1601 7909	Resistor Array - 10 Ω \pm 5% 1/32W 10	
132	1605 0976	Capacitor - 1 μ F+80% -20% 10V	
133	1605 1124	Capacitor - 4.7 μ F+80-20% 10V	
134	1605 1132	Capacitor - 2.2 μ F+80-20% 16V	
135	1607 1014	EMI Filter - BLM11P600SPB	

Index No.	Part No.	Description	Q'ty Per Assembly
136	1607 1206	Filter - ACC2012L-250	
137	1630 4101	Resistor - 100 Ω \pm 5% 1/16W	
138	1630 4102	Resistor - 1.0K Ω \pm 5% 1/16W	
139	1630 4103	Resistor - 10K Ω \pm 5% 1/16W	
140	1630 4122	Resistor - 1.2K Ω 5% 1/16W	
141	1630 4220	Resistor - 22 Ω \pm 5% 1/16W	
142	1630 4229	Resistor - 2.2 Ω \pm 5% - 1/16W	
143	1630 4330	Resistor - 33 Ω \pm 5% 1/8W	
144	1630 4470	Resistor - 470 Ω \pm 5% 1/16W	
145	1630 4519	Resistor - 5.1 Ω \pm 5% 1/16W	
146	1630 4562	Resistor - 5.6k Ω - \pm 5% - 1/16W	
147	1630 4680	Resistor - 68 Ω \pm 5% 1/16W	
148	1630 4683	Resistor - 68K Ω \pm 5% 1/16W	
149	1630 4820	Resistor - 82 Ω \pm 5% 1/16W	
150	1632 0000	Resistor - 0 Ω 1/8W	
151	1634 0000	Resistor - 0 Ω 1/16W	
152	1634 1001	Resistor - 1K Ω \pm 5% 1/16W	
153	1634 1201	Resistor - 1.2K Ω \pm 1% 1/16W	
154	1634 2001	Resistor - 2.00K Ω \pm 1% 1/16W	
155	1642 1101	Capacitor - 100 μ F \pm 20% 16V	
156	1660 0100	Capacitor - 10PF \pm 0.5pF 50V	
157	1660 2180	Capacitor 18pF \pm 5% 50v	
158	1660 2221	Capacitor - 220pF +80-20% 50V	
159	1660 2471	Capacitor - 470pF - \pm 5% - 50V	
160	1660 4102	Capacitor - 1000pF \pm 10% 50V	
161	1660 6103	Capacitor - 10000pF - +80%-20%50V	
162	1660 8104	Capacitor - 0.1 μ F+80-20% 25V	
163	1906 0017	Flash Memory - LH28F320BJE-PBTL70	
164	1907 0017	SDRAM -128M 2MX16X4 100Mhz G2	

Index No.	Part No.	Description	Q'ty Per Assembly

14.ENGIN BOARD (G056/G058)

CAPACITOR

SYMBOL NO.	INDEX NO.	SYMBOL NO.	INDEX NO.	SYMBOL NO.	INDEX NO.	SYMBOL NO.	INDEX NO.	SYMBOL NO.	INDEX NO.	SYMBOL NO.	INDEX NO.	SYMBOL NO.	INDEX NO.
C1	170	C11	139	C21	175	C31	178	C41	179	C51	181	C61	182
C2	169	C12	139	C22	175	C32	178	C42	179	C52	181	C62	182
C3	169	C13	140	C23	177	C33	178	C43	179	C53	181	C63	182
C4	169	C14	171	C24	176	C34	178	C44	179	C54	181	C64	182
C5	169	C15	171	C25	176	C35	178	C45	179	C55	182	C65	182
C6	182	C16	172	C26	173	C36	179	C46	179	C56		C66	182
C7	138	C17	173	C27	177	C37	179	C47	179	C57	182	C67	182
C8	138	C18	173	C28	178	C38	179	C48	179	C58	182	C68	182
C9	138	C19	173	C29	178	C39	179	C49	179	C59	182	C69	182
C10	138	C20	174	C30	178	C40	179	C50	180	C60	182	C70	182

CAPACITOR

SYMBOL NO.	INDEX NO.	SYMBOL NO.	INDEX NO.	SYMBOL NO.	INDEX NO.	SYMBOL NO.	INDEX NO.
C71	182	C81	182	C91	182	C101	---
C72	182	C82	182	C92	182	C102	---
C73	182	C83	182	C93	182	C103	---
C74	182	C84	182	C94	182	C104	---
C75	182	C85	182	C95	182	C105	179
C76	182	C86	182	C96	182	C106	182
C77	182	C87	182	C97	182	----	---
C78	182	C88	182	C98	182	C108	182
C79	182	C89	182	C99	179	C109	179
C80	182	C90	182	C100	179	C110	---

CONNECTOR

SYMBOL NO.	INDEX NO.	SYMBOL NO.	INDEX NO.	SYMBOL NO.	INDEX NO.
C111	---	CN1	115	CN11	101
C112	---	CN2	106	CN12	107
		----	---	CN13	109
		----	---	CN14	108
		CN5	102	CN15	114
		CN6	110	CN16	112
		CN7	111	CN19	117
		CN8	---	CN20	105
		CN9	102	CN22	116
		CN10	103	CN23	104

14.ENGIN BOARD (G056/G058)

DIODE

SYMBOL NO.	INDEX NO.
D1	122

FILTER

SYMBOL NO.	INDEX NO.
FIL1	184
FIL2	184
FIL3	184
FIL4	184
FIL5	184
FIL6	141
FIL7	141
FIL8	143
FIL9	143
FIL10	143

SYMBOL NO.	INDEX NO.
FIL11	143
FIL12	143
FIL13	143
FIL14	143
FIL15	143

IC

SYMBOL NO.	INDEX NO.
IC1	125
IC2	2
IC3	1
IC4	183
IC5	130
(Socket)	118
IC6	131
IC7	126
IC8	125
IC9	128
IC10	129

SYMBOL NO.	INDEX NO.
JP1	165
JP2	---
JP3	165
JP4	---
JP5	---
JP6	165
JP7	165
JP8	165
---	---
JP10	165

SYMBOL NO.	INDEX NO.
JP11	165
JP14	165
JP18	165
JP19	165
---	---
JP26	---
JP27	165
JP28	165
JP29	165
JP30	165

SYMBOL NO.	INDEX NO.
JP31	165
JP32	165
JP33	165
JP34	165
JP35	165

L

SYMBOL NO.	INDEX NO.
L1	142

OSC

SYMBOL NO.	INDEX NO.
OSC1	133

RESISTOR

SYMBOL NO.	INDEX NO.
R1	146
R2	146
R3	147
R4	147
R5	147
R6	147
R7	147
R8	147
R9	147
R10	147

SYMBOL NO.	INDEX NO.
R11	147
R12	147
R13	147
R14	148
R15	
R16	148
R17	148
R18	148
R19	148
R20	148

SYMBOL NO.	INDEX NO.
R21	
R22	148
R23	148
R24	148
R25	148
R26	148
R27	148
R28	148
R29	148
R30	148

SYMBOL NO.	INDEX NO.
R31	148
R32	148
R33	148
R34	148
R35	148
R36	148
R37	
R38	149
R39	149
---	---

SYMBOL NO.	INDEX NO.
---	---
---	---
R43	149
---	---
---	---
R46	149
R47	149
---	---
R49	149
R50	149

LED

SYMBOL NO.	INDEX NO.
LED1	124

Q

SYMBOL NO.	INDEX NO.
Q1	127
Q2	120
Q3	120
Q4	121

14.ENGIN BOARD (G056/G058)

RESISTOR

SYMBOL NO.	INDEX NO.	SYMBOL NO.	INDEX NO.	SYMBOL NO.	INDEX NO.	SYMBOL NO.	INDEX NO.	SYMBOL NO.	INDEX NO.	SYMBOL NO.	INDEX NO.	SYMBOL NO.	INDEX NO.
R51	166	----	---	R71	154	R81	161	R91	163	R101	155	R111	145
R52	149	R62	153	R72	156	R82	161	R92	163	----	---	R112	144
R53	149	R63	153	R73	157	R83	161	R93	163	R103	148	R113	165
R54	149	R64	153	R74	147	R84	161	R94	164	R104	149		
R55	149	R65	155	R75	147	R85	----	R95	164	----	---		
R56	150	R66	155	R76	147	R86	---	R96	164	----	---		
R57	150	R67	155	R77	158	R87	161	R97	154	R107	147		
R58	151	R68	155	----	---	R88	161	R98	167	R108	148		
R59	151	R69	155	R79	159	R89	161	R99	168	R109	149		
R60	151	R70	155	R80	160	R90	148	R100	168	R110	149		

REG

SYMBOL NO.	INDEX NO.
REG1	132

RN

SYMBOL NO.	INDEX NO.	SYMBOL NO.	INDEX NO.
RN1	134	RN11	135
RN2	134	RN12	136
RN3	134	RN13	136
RN4	134	RN14	136
RN5	134	RN15	136
RN6	134	RN16	136
RN7	134	RN17	136
RN8	134	RN18	136
RN9	135	RN19	136
RN10	135	RN20	136

SYMBOL NO.	INDEX NO.
RN21	137
RN22	137
RN23	137

SWITCH

SYMBOL NO.	INDEX NO.
SW1	119

TB

SYMBOL NO.	INDEX NO.
TB1	113

ZD

SYMBOL NO.	INDEX NO.
ZD1	123

14.ENGIN BOARD (G056/G058)


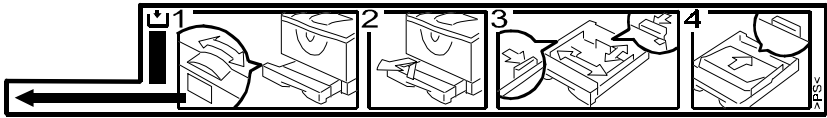
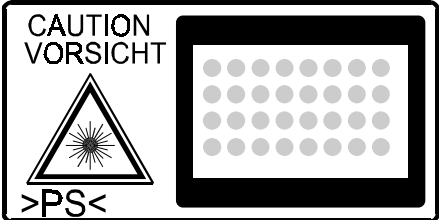

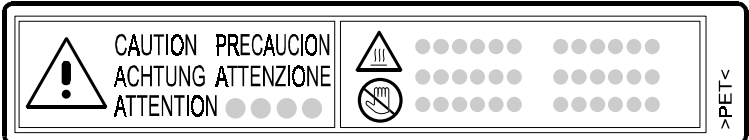
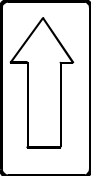

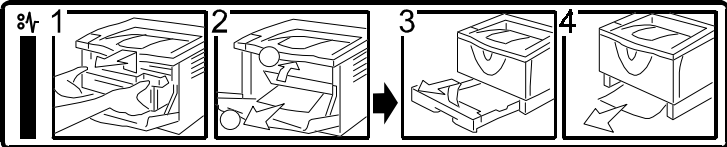
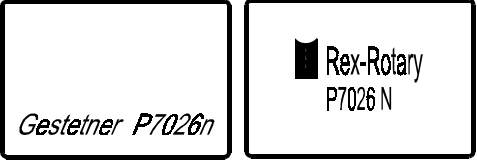
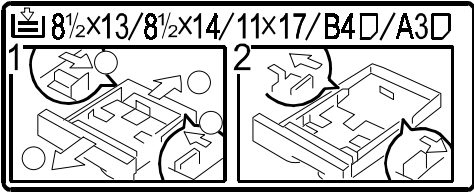
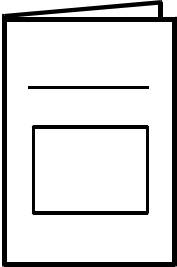
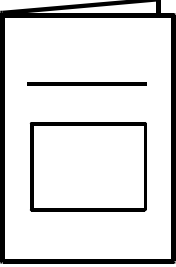



Index No.	Part No.	Description	Q'ty Per Assembly
*	G052 5131	PCB - Engine Board - US	1
*	G052 5132	PCB - Engine Board - Eur/Asia	1
1	GY20 0010	IC - EMA5	1
2	G052 5353	IC - RL5C480	1

Index No.	Part No.	Description	Q'ty Per Assembly
101	1102 4201	Connector - 2P	
102	1102 4202	Connector - 3P	
103	1102 4203	CT Header - 4P	
104	1102 4205	CT Header- 6p	
105	1102 4207	Connector - 8P	
106	1102 4212	CT Header - 15P	
107	1102 4619	Connector - 2P	
108	1102 4631	CT Connector - 2p	
109	1102 4643	CT Connector - 2p	
110	1102 5344	Connector - 16P	
111	1102 5409	Connector - 20P	
112	1102 5411	Connector - 24P	
113	1102 5943	Connector - 2P	
114	1102 6398	Connector - 2P	
115	1102 6592	Connector - 8P	
116	1102 7626	Connector - TX25-80P-LT-N1	
117	1102 8299	Connector - FFC/FPC 52610-1017	
118	1104 0764	IC Socket-8pin	
119	1204 2415	Dip Switch - Dss802	
120	1400 0392	Transistor - DTC114EK	
121	1401 0972	Transistor-2sb1260	
122	1402 1336	Diode - 1SS355	
123	1402 1512	Zener Diode - MTZJ16A	
124	1403 0996	LED - SML-310VT	
125	1407 2187	TTLIC - SN74LS07NS	
126	1407 2218	TTLIC - SN74LS06NS	
127	1407 2219	IC - TD62003AP	
128	1407 3357	Comparator - BA10393F	
129	1407 5161	CPU - HD64F2633WF25	
130	1407 5271	EEPROM - M24C02-BN6	
131	1408 1223	Ditector - RN5VD42C	
132	1408 1295	IC - UPC2933T	
133	1503 0697	Oscillator - MA-406 20MHZ	
134	1601 7752	Resistor Array - 10K Ω \pm 5%	
135	1601 7791	Resistor Array - 1K Ω \pm 5%	

Index No.	Part No.	Description	Q'ty Per Assembly
136	1601 7866	Resistor - 150 Ω \pm 5% 1/16W	
137	1601 7912	Resistor - 820 Ω \pm 5% 1/16W	
138	1605 0928	Capacitor - 0.1 μ F16V \pm 10%	
139	1605 0976	Capacitor - 1 μ F+80% -20% 10V	
140	1605 1081	Capacitor - 10 μ F +80-20% 25V	
141	1607 1076	Filter - MMZ1608Y152B	
142	1607 1196	Inductor - 220UH \pm 20% 0.33A	
143	1607 1241	Filter - MMZ1608R102C	
144	1610 1409	Resistor - 6.8 Ω \pm 5% 1W	
145	1610 1489	Resistor - 300 Ω \pm 5% 1W	
146	1611 8102	Resistor - 1K Ω \pm 5% 1/4W	
147	1630 4101	Resistor - 100 Ω \pm 5% 1/16W	
148	1630 4102	Resistor - 1.0K Ω \pm 5% 1/16W	
149	1630 4103	Resistor - 10K Ω \pm 5% 1/16W	
150	1630 4122	Resistor - 1.2K Ω 5% 1/16W	
151	1630 4151	Resistor - 150 Ω \pm 5% 1/16W	
152	1630 4153	Resistor - 15K Ω \pm 5% 1/16W	
153	1630 4201	Resistor - 200 Ω - \pm 5% - 1/16W	
154	1630 4202	Resistor - 2k Ω - \pm 5% -	
155	1630 4222	Resistor - 2.2K Ω \pm 5%	
156	1630 4302	Resistor - 3.0k Ω - \pm 5% - 1/16W	
157	1630 4330	Resistor - 33 Ω \pm 5% 1/8W	
158	1630 4333	Resistor - 33K Ω \pm 5% 1/16W	
159	1630 4470	Resistor - 470 Ω \pm 5% 1/16W	
160	1630 4471	Resistor - 470 Ω \pm 5% 1/16W	
161	1630 4472	Resistor - 4.7K Ω \pm 5% 1/16W	
162	1630 4680	Resistor - 68 Ω \pm 5% 1/16W	
163	1630 4681	Resistor - 680 Ω \pm 5% 1/16W	
164	1630 4821	Resistor - 820 Ω \pm 5% 1/16W	
165	1634 0000	Resistor - 0 Ω 1/16W	
166	1634 1002	Resistor - 10 Ω \pm 5% 1/16W	
167	1634 4301	Resistor - 4.3K Ω \pm 1% 1/8W	
168	1634 6801	Resistor - 6.8K Ω \pm 1% 1/8W	
169	1640 0101	Capacitor - 100 μ F10V	
170	1640 5470	Capacitor - 47 μ F \pm 20% 50V	

Index No.	Part No.	Description	Q'ty Per Assembly
171	1660 0100	Capacitor - 10PF \pm 0.5pF 50V	
172	1660 2101	Capacitor - 100pF - \pm 10% - 50V	
173	1660 2220	Capacitor - 22pF \pm 20% 35V	
174	1660 2221	Capacitor - 220pF +80-20% 50V	
175	1660 2330	Capacitor - 33pF - \pm 5% - 50V	
176	1660 2331	Capacitor - 330pF \pm 5% 50V	
177	1660 2471	Capacitor - 470pF - \pm 5% - 50V	
178	1660 4102	Capacitor - 1000pF \pm 10% 50V	
179	1660 4103	Capacitor - 10000pF - \pm 10% - 50V	
180	1660 4332	Capacitor - 3300pF - \pm 10% - 50V	
181	1660 7104	Capacitor - 100000pF 50V	
182	1660 8104	Capacitor - 0.1 μ F+80-20% 25V	
183	1902 0040	SRAM 256KX8 70NS G9	
184	1002 0308	Zinc Coated Wire	

15.DECAL AND DOCUMENT (G056/G058)

<p>1</p> 	<p>5</p> 	
<p>2</p> 	<p>6</p> 	<p>8</p> 
	<p>7</p> 	<p>9</p> 
<p>3</p> 		<p>12</p> 
<p>4</p> 	<p>10</p> 	<p>11</p> 
		  

15.DECAL AND DOCUMENT (G056/G058)

Index No.	Part No.	Description	Q'ty Per Assembly
1	1005 0890	Decal - TUV	1
2	G029 1980	Decal - LD	1
3	G052 1551	Decal - Paper Jam	1
4	G052 3078	Decal - Tray Extension	1
5	G052 3079	Decal - Paper Set	1
6	G052 3351	Decal - Registration	1
7	G052 3642	Decal - Transfer Guide Plate	1
8	G052 4693	Decal - High Temperature	1
9	H516 4095	Decal - Energystar	1
10	G058 8617	Operating Instructions (Ricoh)	1
10	G058 8647	Operating Instructions (Savin)	1
11	G058 8627	Setup Guide (Ricoh/Savin)	1
12	G058 2372	Model Name Plate - Gestetner	1
12	G058 2373	Model Name Plate - Nashuatec	1
12	G058 2374	Model Name Plate - Rex	1
12	G058 2375	Model Name Plate - Ricoh US	1
12	G058 2376	Model Name Plate - Savin	1

Index No.	Part No.	Description	Q'ty Per Assembly

Parts Index

Parts Index

Part No.	Description	Page and Index No.
G056 5712	PCB - Controller Board	29- *
G056 5712	PCB - Controller Board	23- 5
G056 6001	Controller Bracket	23- 4
G056 6003	Flat Screw	23- 3
G056 6004	NIB Cover	23- 6
G056 6005	HDD Cover	23- 1
G056 6006	IC Card Slot Cover	23- 2
G056 6021	Gasket - UC-3E0595	23- 7
G058 2371	Model Name Plate - Ricoh Eur/Asia	3- 20
G058 2372	Model Name Plate - Gestetner	3- 20
G058 2372	Model Name Plate - Gestetner	35- 12
G058 2373	Model Name Plate - Nashuatec	3- 20
G058 2373	Model Name Plate - Nashuatec	35- 12
G058 2374	Model Name Plate - Rex	3- 20
G058 2374	Model Name Plate - Rex	35- 12
G058 2375	Model Name Plate - Ricoh US	35- 12
G058 2375	Model Name Plate - Ricoh US	3- 20
G058 2376	Model Name Plate - Savin	35- 12
G058 2376	Model Name Plate - Savin	3- 20
G058 8617	Operating Instructions (Ricoh)	35- 10
G058 8627	Setup Guide (Ricoh/Savin)	35- 11
G058 8647	Operating Instructions (Savin)	35- 10

Part No.	Description	Page and Index No.
AA06 3539	Spring - Registration Roller	9- 2
AA08 2047	Bushing - 8x16x7	9- 20
AA08 2058	Bushing - 6x10x9mm	7- 21
AW02 0056	Photointerrupter - EE-SX4235A-P1	7- 1
AW02 0119	Photointerruptor - LG-248I1	13- 20
AW02 0119	Photointerruptor - Lg-248I1	11- 4
AW02 0119	Photointerruptor - Lg-248I1	9- 19
AX20 0208	Magnetic Clutch - Z45	9- 3
AX20 0209	Magnetic Clutch - Z25	21- 4
AX20 0211	Magnetic Clutch - Z56	7- 4
B004 5265	IC - ASIC - SIMAC3	29- 1
G029 1980	Decal - LD	35- 2
G029 1980	Decal - LD	5- 2
G029 2608	Base Pad	15- 5
G029 2609	Cassette Protection	15- 9
G029 2657	Compression Spring	7- 17
G029 2705	Extention Tray	3- 21
G029 2708	Pad	3- 23
G029 2757	Spring - 2.75n	7- 16
G029 2767	By-pass Feed Cover	7- 10
G029 5524	Inlet - 230V	11- 17
G030 1052	Rubber Foot	13- 26
G052 1018	Paper Transport Guide	13- 16
G052 1019	Pin - Transport Guide	13- 27
G052 1021	PSU Top Cover	25- 13
G052 1022	Fusing Stopper Plate	11- 20
G052 1025	Right Duplex Guide Rail	11- 24
G052 1026	Left Duplex Guide Rail	11- 26
G052 1027	Spring Plate - Duplex Rail	11- 27
G052 1041	Paper Exit Bracket	11- 10
G052 1042	Fusing Exit Feeler	11- 5
G052 1043	Paper Exit Feeler	11- 9
G052 1044	Exit Feeler Holder	11- 3
G052 1046	Spring - Fusing Exit Feeler	11- 6
G052 1048	Middle Bushing - Paper Exit	11- 8

Part No.	Description	Page and Index No.
G052 1049	Bushing - Paper Exit	11- 12
G052 1056	Fusing Drawer Bracket	11- 2
G052 1087	Junction Gate Pawl	11- 15
G052 1088	Gate Pawl Spring	11- 14
G052 1102	Drive Unit Bracket	21- 20
G052 1103	Gear - PCU	21- 18
G052 1104	Gear - Fusing 1	21- 8
G052 1105	Gear - Fusing 2	21- 19
G052 1106	Gear - Fusing 3	21- 15
G052 1107	Gear - Pulley - Fusing	21- 14
G052 1108	Gear - Paper Feed 1	21- 7
G052 1109	Gear - Paper Feed 2	21- 9
G052 1110	Gear - Paper Feed 3	21- 12
G052 1111	Gear - Paper Feed 4	21- 16
G052 1112	Gear - Paper Feed 5	21- 11
G052 1113	Gear - Paper Feed 6	21- 10
G052 1120	Spring - Paper Exit Release	21- 13
G052 1121	Drive Belt	21- 17
G052 1122	Magnetic Clutch Holder	21- 3
G052 1150	Main Motor - DC20W	21- 1
G052 1211	Engine Board Bracket	23- 13
G052 1212	Clip	23- 10
G052 1216	Engine Board Cover	23- 20
G052 1217	Shielding Plate	5- 16
G052 1224	PSU Bracket	25- 16
G052 1225	PSU Bracket - 230V	25- 16
G052 1241	Controller Board Bracket	23- 9
G052 1251	Charge Terminal	25- 7
G052 1252	Drum Terminal	25- 6
G052 1253	Development Terminal	13- 22
G052 1254	Inner Terminal - Charge	25- 8
G052 1255	Charge Terminal - High Voltage	25- 9
G052 1256	Development Terminal - High Voltage	13- 21
G052 1261	Ground Plate - Option Tray	23- 11
G052 1262	Ground Plate - Upper Option	11- 13

Part No.	Description	Page and Index No.
G052 1272	Rear Cover Sw Bracket	25- 11
G052 1273	Spring - Micro Switch	25- 12
G052 1274	Micro Switch Lever	11- 1
G052 1275	Micro Switch Cover	25- 10
G052 1503	Top Cover	3- 26
G052 1504	Paper Tray Extension	3- 39
G052 1505	Paper Exit Cover	3- 35
G052 1516	Lock Lever	3- 3
G052 1517	LD Shutter Feeler	3- 6
G052 1518	Spring - Lock Lever	3- 2
G052 1522	Upper Cover - Eur/Asia	3- 38
G052 1541	Spring - Receptacle	3- 12
G052 1542	Collar - Receptacle	3- 11
G052 1543	Step Screw	3- 7
G052 1544	Spring Plate - Receptacle	3- 10
G052 1545	Harness Cover	3- 1
G052 1551	Decal - Paper Jam	35- 3
G052 1551	Decal - Paper Jam	3- 13
G052 1562	Front Cover	3- 14
G052 1563	Rear Cover	3- 36
G052 1564	Left Cover	3- 5
G052 1565	Right Cover	3- 29
G052 2701	Laser Unit Ass'y	5- *
G052 2760	LD Unit	5- 10
G052 2763	LD Holder	5- 8
G052 2764	Spring - LD Unit	5- 9
G052 2770	Polygon Mirror Motor	5- 3
G052 2771	Right DTL Holder	5- 18
G052 2772	Left DTL Holder	5- 20
G052 2773	Cylindrical Lens Holder	5- 6
G052 2774	Mirror Clamp	5- 21
G052 2777	Spring Holder - Shield Glass	5- 12
G052 2780	Shutter - LD	5- 11
G052 2786	Laser Unit Cover	5- 4
G052 2788	Polygon Motor Cover	5- 5

Part No.	Description	Page and Index No.
G052 3051	Paper Tray - Front	15- 15
G052 3052	Paper Tray - Rear	15- 7
G052 3053	Bottom Plate	15- 3
G052 3055	Left Side Fence	15- 4
G052 3056	Right Side Fence	15- 8
G052 3057	End Fence	15- 6
G052 3078	Decal - Tray Extension	35- 4
G052 3078	Decal - Tray Extension	15- 17
G052 3079	Decal - Paper Set	15- 16
G052 3079	Decal - Paper Set	35- 5
G052 3080	Pin - Paper Size Dial	15- 12
G052 3081	Right Cassette Rail	13- 24
G052 3082	Left Cassette Rail	13- 1
G052 3083	Spring - Bottom Plate	15- 2
G052 3085	Paper Size Dial	15- 11
G052 3095	Paper Size Dial - Eur/Asia	15- 11
G052 3100	Stay - Paper Feed	9- 7
G052 3101	Shaft - Paper Feed	7- 2
G052 3104	Paper End Feeler	9- 8
G052 3105	Near End Feeler	9- 9
G052 3106	Bushing - Paper Feed Roller	7- 18
G052 3106	Bushing - Paper Feed Roller	7- 5
G052 3109	Film - Paper Feed Guide	7- 7
G052 3112	Paper Feed Roller	7- 6
G052 3114	Sheet Cassette	15- 18
G052 3116	Clutch Balancer - Left	7- 20
G052 3117	Clutch Balancer - Right	7- 19
G052 3135	Friction Pad	15- 13
G052 3254	Registration Feeler	13- 12
G052 3257	Right Bushing - Registration	9- 10
G052 3258	Left Bushing - Registration	9- 1
G052 3266	Upper Registration Guide	9- 15
G052 3267	Film - Registration	9- 13
G052 3272	Bypass Front Cover	3- 18
G052 3273	Bottom Plate - Bypass	3- 25

Part No.	Description	Page and Index No.
G052 3276	Right Side Fence - Bypass	3- 16
G052 3277	Left Side Fence - Bypass	3- 15
G052 3278	Spring - Bypass	3- 17
G052 3280	Frame - Bypass Feed	7- 9
G052 3286	Feeler - Bypass	7- 8
G052 3288	Bypass Feed Roller	7- 11
G052 3290	Separation Pad - Bypass	7- 13
G052 3294	Paper Transport Guide	13- 10
G052 3294	Paper Transport Guide	13- 11
G052 3297	Spring Clutch - Bypass	21- 6
G052 3301	Support Stay - Bypass	13- 25
G052 3303	Paper Transport Roller	7- 14
G052 3304	Spring Plate - Paper Transport	7- 15
G052 3306	Transport Roller Guide	13- 9
G052 3315	Registration Guide Roller	9- 11
G052 3316	Registration Roller	9- 12
G052 3323	Registration Sensor Bracket	13- 19
G052 3332	Paper Transport Roller	7- 12
G052 3335	Ground Plate - Paper Feed	9- 6
G052 3336	Ground Plate - Registration	9- 5
G052 3337	Ground Plate - Drive	9- 4
G052 3338	Ground Plate - Registration Guide	25- 2
G052 3341	Sub Tray	3- 22
G052 3345	Registration Guide Sheet1	13- 8
G052 3346	Registration Guide Sheet2	13- 15
G052 3351	Decal - Registration	9- 14
G052 3351	Decal - Registration	35- 6
G052 3356	Sheet - Soundproof	3- 4
G052 3388	Solenoid - DC24V	21- 5
G052 3390	Toner End Sensor	9- 17
G052 3396	Spring - Toner End Sensor	9- 18
G052 3522	Discharge Lamp	11- 25
G052 3543	Thermistor - 103AT-2 15W	5- 15
G052 3614	Positioning Roller - Transfer	13- 5
G052 3615	Gear - Transfer Roller	13- 4

Part No.	Description	Page and Index No.
G052 3616	Transfer Roller	13- 3
G052 3620	Transfer Roller Guide	13- 2
G052 3621	Separation Plate	13- 18
G052 3622	Separation Plate Cover	13- 17
G052 3623	Transfer Terminal	25- 5
G052 3624	Separation Terminal	13- 23
G052 3624	Separation Terminal	13- 13
G052 3626	Left Bushing - Transfer	13- 6
G052 3627	Spring - Transfer	13- 7
G052 3628	Ground Plate - Paper Transport	13- 14
G052 3629	Paper Transport Terminal	13- 13
G052 3641	Transfer Guide Sheet	13- 28
G052 3642	Decal - Transfer Guide Plate	35- 7
G052 4602	Terminal Plate - Thermostat	17- 12
G052 4611	Thermostat	17- 11
G052 4612	Hot Roller	17- 10
G052 4615	Left Fusing Lamp Bracket	17- 3
G052 4616	Right Fusing Lamp Bracket	17- 13
G052 4617	Heater Terminal	17- 15
G052 4617	Heater Terminal	17- 2
G052 4618	Bearing 30x42x7	17- 8
G052 4619	Hot Roller Gear	17- 7
G052 4622	Spring - Fusing Stripper	17- 19
G052 4624	Hot Roller Stripper	17- 18
G052 4625	Harness Holder - Fusing	17- 25
G052 4629	Fusing Upper Frame	17- 23
G052 4635	Fusing Exit Guide	17- 20
G052 4639	Exit Roller Holder	17- 16
G052 4642	Discharge Brush - Fusing	17- 22
G052 4645	Upper Fusing Entrance Guide	17- 9
G052 4650	Fusing Lower Frame	19- 12
G052 4656	Fusing Pressure Roller	19- 14
G052 4662	Pressure Roller Lever	19- 10
G052 4664	Spring - Fusing	19- 9
G052 4665	Bushing - Pressure Roller	19- 11

Part No.	Description	Page and Index No.
G052 4673	Gear - Paper Exit	19- 1
G052 4674	Fusing Exit Roller	19- 3
G052 4676	Gear - Fusing Idler	19- 5
G052 4677	Gear - Fusing Idler	19- 8
G052 4681	Fusing Entrance Guide	19- 13
G052 4690	Ground Plate - Fusing	17- 21
G052 4691	Ground Plate - Fusing Pressure	19- 6
G052 4692	Discharge Brush - Pressure	19- 7
G052 4693	Decal - High Temperature	35- 8
G052 4693	Decal - High Temperature	19- 4
G052 4695	Harness Cover	17- 27
G052 4696	Right Fusing Lock Lever	11- 23
G052 4697	Left Fusing Lock Lever	11- 22
G052 4698	Fusing Left Cover	17- 1
G052 4699	Fusing Right Cover	17- 14
G052 4700	External Circlip	17- 6
G052 4850	Paper Exit Roller	11- 7
G052 4855	Pulley - Paper Exit	11- 11
G052 4871	Left Holder - Exit Driven Roller	3- 32
G052 4872	Right Holder - Exit Driven Roller	3- 31
G052 4873	Outer Exit Cover Roller	3- 27
G052 4875	Inner Exit Cover Roller	3- 28
G052 4876	Left Spring Plate	3- 34
G052 4877	Right Spring Plate	3- 33
G052 4885	Discharge Brush - Paper Exit	3- 37
G052 5060	Synchronization Detector	5- 24
G052 5131	PCB - Engine Board - US	23- 14
G052 5131	PCB - Engine Board - US	33- *
G052 5132	PCB - Engine Board - Eur/Asia	23- 14
G052 5132	PCB - Engine Board - Eur/Asia	33- *
G052 5210	Power Supply Unit - 120V	25- 15
G052 5211	Power Supply Unit - 230V	25- 15
G052 5300	Power Pack	25- 17
G052 5353	IC - RL5C480	33- 2
G052 5362	Receptacle - 99RH144	3- 8

Part No.	Description	Page and Index No.
G052 5400	Interface Harness - Paper Feed	9- 21
G052 5403	Harness - LD Unit	5- 1
G052 5404	Interface Harness - Toner End Sensor	9- 16
G052 5409	Harness - Main Switch	25- 3
G052 5410	Harness - Interlock	23- 15
G052 5412	Harness - PFU	9- 22
G052 5412	Harness - PFU	23- 17
G052 5413	Harness - Paper Exit - Option	23- 8
G052 5413	Harness - Paper Exit - Option	23- 19
G052 5414	Harness - Duplex	23- 16
G052 5414	Harness - Duplex	11- 19
G052 5414	Harness - Duplex	21- 2
G052 5419	Harness - Power Pack	25- 4
G052 5421	Harness - Power Cord - 230V	23- 18
G052 5422	Harness - Main SW 230W	25- 3
G052 5423	Fusing Harness - 120V	11- 21
G052 5424	Fusing Harness - 230V	11- 21
G052 5425	Harness - Cartridge	3- 9
G052 5428	Harness - Power Cord	25- 18
G052 5428	Harness - Power Cord	23- 18
G052 5500	Fusing Drawer - 120V	17- 26
G052 5501	Fusing Thermistor	17- 24
G052 5510	Fusing Drawer - 230V	17- 26
G052 5511	Power Cord - 115V	11- 16
G052 5520	Drawer Ass'y - Fusing Set - 115V	17- 4
G052 5521	Drawer Ass'y - Fusing Set - 230V	17- 4
G052 5544	Fusing Lamp - 120V/750W	17- 5
G052 5545	Fusing Lamp - 230V/750W	17- 5
G053 1930	Operation Panel Ass'y - US	3- 30
G053 1940	Operation Panel Ass'y - Eur/Asia	3- 30
G800 3035	Push Sw - Paper Size	23- 12
G800 3129	Cassette Arm	15- 1
G800 3133	Side Fence Gear	15- 10
G800 3133	Side Fence Gear	3- 24
G800 3147	Pressure Spring - 2.8n	15- 14

Part No.	Description	Page and Index No.
G800 4851	Bushing	19- 2
G800 4854	Exit Roller	17- 17
GC01 5005	Shield Glass - Polygon Motor	5- 17
GC01 5006	Shield Glass	5- 13
GC02 4007	Cylindrical Lens	5- 7
GC02 5010	DTL	5- 19
GC03 0026	Mirror - 1	5- 14
GC03 0027	Mirror - 2	5- 23
GC03 0028	Mirror - Sync Detector	5- 22
GX64 0018	Cooling Fan - DC 24V/4.3W	25- 1
GY20 0010	IC - EMA5	33- 1
GZ00 0003	Power Cord - 230V	11- 18
H306 3407	Registration Spacer	7- 3
H516 4095	Decal - Energystar	35- 9
H516 4095	Decal - Energystar	3- 19
N607 4525	Coil - RITL-9704	25- 14

Part No.	Description	Page and Index No.
353 1803	Wave Washer	21- 21

Part No.	Description	Page and Index No.
0353 0080Z	Philips Trass Head Screw - M3x8	23-107
0450 3008B	Tapping Screw - M3x8	3-101
0450 3008B	Tapping Screw - M3x8	5-103
0450 3008B	Tapping Screw - M3x8	23-105
0450 3008B	Tapping Screw - M3x8	17-102
0450 3008B	Tapping Screw - M3x8	21-103
0450 3008B	Tapping Screw - M3x8	25-102
0450 3008B	Tapping Screw - M3x8	9-101
0450 3008B	Tapping Screw - M3x8	13-101
0450 3008B	Tapping Screw - M3x8	11-101
0450 3008B	Tapping Screw - M3x8	19-101
0450 3008H	Tapping Screw M3x8	25-103
0450 3008H	Tapping Screw M3x8	23-109
0450 3010B	Tapping Screw - M3x10	13-104
0450 3010B	Tapping Screw - M3x10	21-102
0450 3010B	Tapping Screw - M3x10	17-105
0450 3010B	Tapping Screw - M3x10	19-102
0450 3010B	Tapping Screw - M3x10	7-101
0450 3010B	Tapping Screw - M3x10	23-108
0450 3012B	Tapping Screw -3x12	17-101
0450 3012B	Tapping Screw -3x12	5-104
0450 3016B	Tapping Screw - M3x16	23-103
0450 4010B	Tapping Screw - 4x10	21-101
0450 4010B	Tapping Screw - 4x10	3-103
0450 4010B	Tapping Screw - 4x10	13-103
0450 4010B	Tapping Screw - 4x10	11-102
0450 4035B	Philips Tapping Screw - M4x35	25-101
0451 3006B	Tapping Screw - M3x6	7-103
0451 3006B	Tapping Screw - M3x6	23-106
0451 3006B	Tapping Screw - M3x6	13-102
0451 3006H	Tapping Screw - 3x6	3-102
0451 3014B	Tapping Screw - M3-14	11-103
0451 3014B	Tapping Screw - M3-14	25-104
0451 4006H	Tapping Screw - M4x6	23-102
0712 0030B	Hexagon Nut - M3	5-101

Part No.	Description	Page and Index No.
0802 5276	Tapping Screw With Washer - M3x6	25-110
0805 0088	Retaining Ring - M6	9-102
0805 0089	Retaining Ring - M4	7-102
0954 3008B	Philips Screw - M3x8	17-104
0954 3010B	Philips Screw - M3x10	17-103
1002 0308	Zinc Coated Wire	33-184
1005 0808	C/T Guide Rail	23-101
1005 0890	Decal - TUV	35- 1
1102 4201	Connector - 2P	33-101
1102 4202	Connector - 3P	33-102
1102 4203	CT Header - 4P	33-103
1102 4205	CT Header- 6p	33-104
1102 4207	Connector - 8P	33-105
1102 4212	CT Header - 15P	33-106
1102 4619	Connector - 2P	33-107
1102 4631	CT Connector - 2p	33-108
1102 4643	CT Connector - 2p	33-109
1102 5344	Connector - 16P	33-110
1102 5409	Connector - 20P	33-111
1102 5411	Connector - 24P	33-112
1102 5943	Connector - 2P	33-113
1102 6398	Connector - 2P	33-114
1102 6592	Connector - 8P	33-115
1102 7625	Connector - TX24-80R-LT-N1	29-101
1102 7626	Connector - TX25-80P-LT-N1	33-116
1102 7785	Connector - 57RE40360830BD29B	29-102
1102 8153	Connector - FCN-568P068-G/05A-V4	29-103
1102 8189	Dimm Connector - 54534-1440	29-104
1102 8299	Connector - FFC/FPC 52610-1017	33-117
1102 8355	Connector - Dimm - DMM2-SD72A-1131	29-105
1102 8356	IDE Connector	29-106
1102 8357	Connector - 52777-0809	29-107
1102 8358	Connector - WR-100P-VF60-1	29-108
1104 0764	IC Socket-8pin	33-118
1104 0771	IC Socket - 28PIN	29-109

Part No.	Description	Page and Index No.
1105 0199	Clamp	23-112
1105 0199	Clamp	25-106
1105 0229	Clamp	5-102
1105 0292	Wire Saddle	25-107
1105 0292	Wire Saddle	23-111
1105 0292	Wire Saddle	21-104
1105 0310	Harness Clamp - LWS-1S	23-110
1105 0310	Harness Clamp - LWS-1S	11-104
1107 0629	Fuse - 15A - 125V (NA FU1)	25-111
1107 0868	Fuse - 5A 125V (NA FU4)	25-109
1107 0868	Fuse - 5A 125V (NA FU3)	25-113
1107 0877	Fuse - 3.15A 250V (EU FU2)	25-112
1107 0880	Fuse - 6.3A 250V (NA FU2)	25-112
1107 0884	Fuse - 5A 250V (EU FU3)	25-113
1107 0884	Fuse - 5A 250V (EU FU4)	25-109
1204 1542	Dip Switch	29-110
1204 2415	Dip Switch - Dss802	33-119
1204 2477	Locker Switch - AC250V 10A	25-108
1204 2521	Micro Switch	23-104
1204 2521	Micro Switch	25-105
1400 0392	Transistor - DTC114EK	33-120
1401 0972	Transistor-2sb1260	33-121
1402 1336	Diode - 1SS355	33-122
1402 1343	Diode - RB106L-40	29-111
1402 1512	Zener Diode - MTZJ16A	33-123
1403 0996	LED - SML-310VT	33-124
1407 2187	TTLIC - SN74LS07NS	33-125
1407 2218	TTLIC - SN74LS06NS	33-126
1407 2219	IC - TD62003AP	33-127
1407 3357	Comparator - BA10393F	33-128
1407 4919	IC - 74VHCT244 TSSOP	29-112
1407 4920	IC - 74VHCT245 TSSOP	29-113
1407 5040	IC - SN74LVC161284DL	29-114
1407 5161	CPU - HD64F2633WF25	33-129
1407 5271	EEPROM - M24C02-BN6	33-130

Part No.	Description	Page and Index No.
1407 5273	IC - RM5231-200Q-REV1.2C	29-115
1407 5274	CMOS Logic - 74LVCH162244A TSSOP	29-116
1407 5275	CMOS Logic - 74LVCHR16245A TSSOP	29-117
1407 5278	Clock Generator - ICS9148BF-17	29-118
1407 5335	RAM - STK12C68-P55	29-119
1407 5337	CMOS Logic - 74LVCH16373A TSSOP	29-120
1408 1223	Ditector - RN5VD42C	33-131
1408 1273	IC - RN5VD28A	29-121
1408 1295	IC - UPC2933T	33-132
1408 1398	Detector - RN5VD42A	29-122
1408 1507	Regulator - PQ05VY3H3Z	29-123
1503 0697	Oscillator - MA-406 20MHZ	33-133
1503 0842	Osicillator - 14.31818Mhz	29-124
1601 7751	Resistor - 4.7K Ω \pm 5%	29-125
1601 7752	Resistor Array - 10K Ω \pm 5%	33-134
1601 7752	Resistor Array - 10K Ω \pm 5%	29-126
1601 7760	Resistor Array	29-127
1601 7791	Resistor Array - 1K Ω \pm 5%	33-135
1601 7866	Resistor - 150 Ω \pm 5% 1/16W	33-136
1601 7867	Resistor - 33 Ω \pm 5% 1/16W	29-128
1601 7871	Resistor - 68 Ω \pm 5% 1/16W	29-129
1601 7898	Resistor Array	29-130
1601 7909	Resistor Array - 10 Ω \pm 5% 1/32W 10	29-131
1601 7912	Resistor - 820 Ω \pm 5% 1/16W	33-137
1605 0928	Capacitor - 0.1 μ F 16V \pm 10%	33-138
1605 0976	Capacitor - 1 μ F +80% -20% 10V	29-132
1605 0976	Capacitor - 1 μ F +80% -20% 10V	33-139
1605 1081	Capacitor - 10uF +80-20% 25V	33-140
1605 1124	Capacitor - 4.7 μ F +80-20% 10V	29-133
1605 1132	Capacitor - 2.2 μ F +80-20% 16V	29-134
1607 1014	EMI Filter - BLM11P600SPB	29-135
1607 1076	Filter - MMZ1608Y152B	33-141
1607 1196	Inductor - 220UH \pm 20% 0.33A	33-142
1607 1206	Filter - ACC2012L-250	29-136
1607 1241	Filter - MMZ1608R102C	33-143

Part No.	Description	Page and Index No.
1610 1409	Resistor - 6.8 Ω \pm 5% 1W	33-144
1610 1489	Resistor - 300 Ω \pm 5% 1W	33-145
1611 8102	Resistor - 1K Ω \pm 5% 1/4W	33-146
1630 4101	Resistor - 100 Ω \pm 5% 1/16W	29-137
1630 4101	Resistor - 100 Ω \pm 5% 1/16W	33-147
1630 4102	Resistor - 1.0K Ω \pm 5% 1/16W	33-148
1630 4102	Resistor - 1.0K Ω \pm 5% 1/16W	29-138
1630 4103	Resistor - 10K Ω \pm 5% 1/16W	29-139
1630 4103	Resistor - 10K Ω \pm 5% 1/16W	33-149
1630 4122	Resistor - 1.2K Ω 5% 1/16W	29-140
1630 4122	Resistor - 1.2K Ω 5% 1/16W	33-150
1630 4151	Resistor - 150 Ω \pm 5% 1/16W	33-151
1630 4153	Resistor - 15K Ω \pm 5% 1/16W	33-152
1630 4201	Resistor - 200 Ω - \pm 5% - 1/16W	33-153
1630 4202	Resistor - 2k Ω - \pm 5% -	33-154
1630 4220	Resistor - 22 Ω \pm 5% 1/16W	29-141
1630 4222	Resistor - 2.2K Ω \pm 5%	33-155
1630 4229	Resistor - 2.2 Ω \pm 5% - 1/16W	29-142
1630 4302	Resistor - 3.0k Ω - \pm 5% - 1/16W	33-156
1630 4330	Resistor - 33 Ω \pm 5% 1/8W	33-157
1630 4330	Resistor - 33 Ω \pm 5% 1/8W	29-143
1630 4333	Resistor - 33K Ω \pm 5% 1/16W	33-158
1630 4470	Resistor - 470 Ω \pm 5% 1/16W	33-159
1630 4470	Resistor - 470 Ω \pm 5% 1/16W	29-144
1630 4471	Resistor - 470 Ω \pm 5% 1/16W	33-160
1630 4472	Resistor - 4.7K Ω \pm 5% 1/16W	33-161
1630 4519	Resistor - 5.1 Ω \pm 5% 1/16W	29-145
1630 4562	Resistor - 5.6k Ω - \pm 5% - 1/16W	29-146
1630 4680	Resistor - 68 Ω \pm 5% 1/16W	29-147
1630 4680	Resistor - 68 Ω \pm 5% 1/16W	33-162
1630 4681	Resistor - 680 Ω \pm 5% 1/16W	33-163
1630 4683	Resistor - 68K Ω \pm 5% 1/16W	29-148
1630 4820	Resistor - 82 Ω \pm 5% 1/16W	29-149
1630 4821	Resistor - 820 Ω \pm 5% 1/16W	33-164
1632 0000	Resistor - 0 Ω 1/8W	29-150

Part No.	Description	Page and Index No.
1634 0000	Resistor - 0 Ω 1/16W	33-165
1634 0000	Resistor - 0 Ω 1/16W	29-151
1634 1001	Resistor - 1K Ω \pm 5% 1/16W	29-152
1634 1002	Resistor - 10 Ω \pm 5% 1/16W	33-166
1634 1201	Resistor - 1.2K Ω \pm 1% 1/16W	29-153
1634 2001	Resistor - 2.00K Ω \pm 1% 1/16W	29-154
1634 4301	Resistor - 4.3K Ω \pm 1% 1/8W	33-167
1634 6801	Resistor - 6.8K Ω \pm 1% 1/8W	33-168
1640 0101	Capacitor - 100 μ F 10V	33-169
1640 5470	Capacitor - 47 μ F \pm 20% 50V	33-170
1642 1101	Capacitor - 100 μ F \pm 20% 16V	29-155
1660 0100	Capacitor - 10PF \pm 0.5pF 50V	33-171
1660 0100	Capacitor - 10PF \pm 0.5pF 50V	29-156
1660 2101	Capacitor - 100pF - \pm 10% - 50V	33-172
1660 2180	Capacitor 18pF \pm 5% 50v	29-157
1660 2220	Capacitor - 22pF \pm 20% 35V	33-173
1660 2221	Capacitor - 220pF +80-20% 50V	29-158
1660 2221	Capacitor - 220pF +80-20% 50V	33-174
1660 2330	Capacitor - 33pF - \pm 5% - 50V	33-175
1660 2331	Capacitor - 330pF \pm 5% 50V	33-176
1660 2471	Capacitor - 470pF - \pm 5% - 50V	29-159
1660 2471	Capacitor - 470pF - \pm 5% - 50V	33-177
1660 4102	Capacitor - 1000pF \pm 10% 50V	29-160
1660 4102	Capacitor - 1000pF \pm 10% 50V	33-178
1660 4103	Capacitor - 10000pF - \pm 10% - 50V	33-179
1660 4332	Capacitor - 3300pF - \pm 10% - 50V	33-180
1660 6103	Capacitor - 10000pF - +80%-20%50V	29-161
1660 7104	Capacitor - 100000pF 50V	33-181
1660 8104	Capacitor - 0.1 μ F +80-20% 25V	33-182
1660 8104	Capacitor - 0.1 μ F +80-20% 25V	29-162
1902 0040	SRAM 256KX8 70NS G9	33-183
1906 0017	Flash Memory - LH28F320BJE-PBTL70	29-163
1907 0017	SDRAM -128M 2MX16X4 100Mhz G2	29-164

Part No.	Description	Page and Index No.